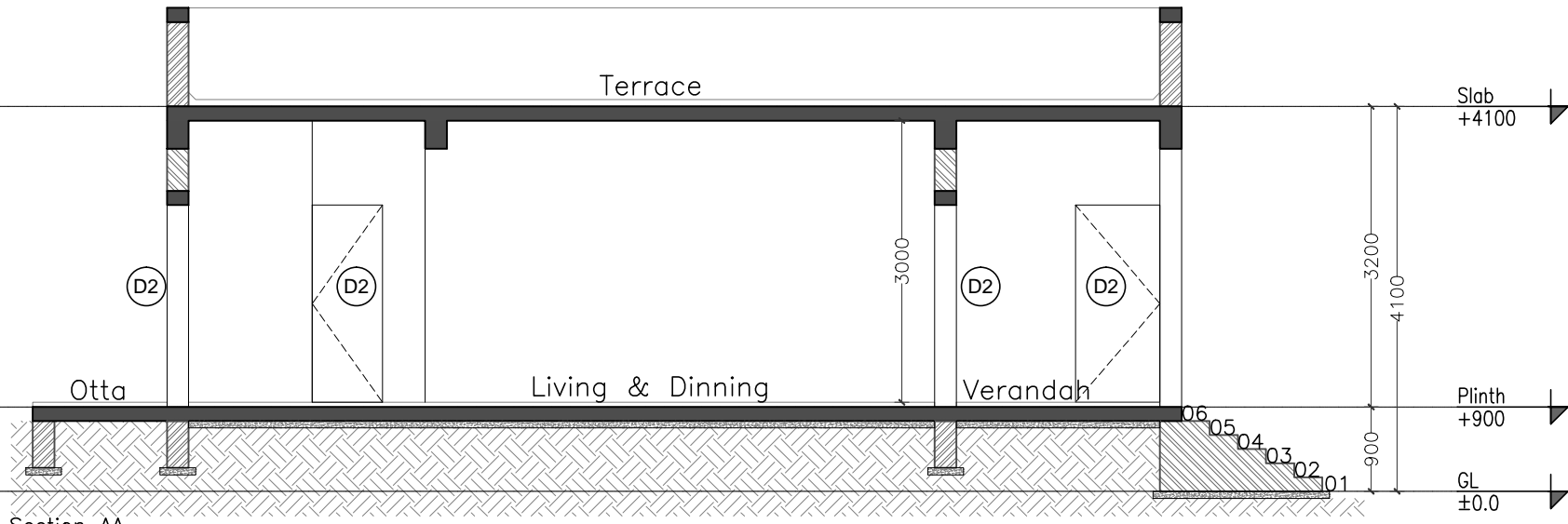
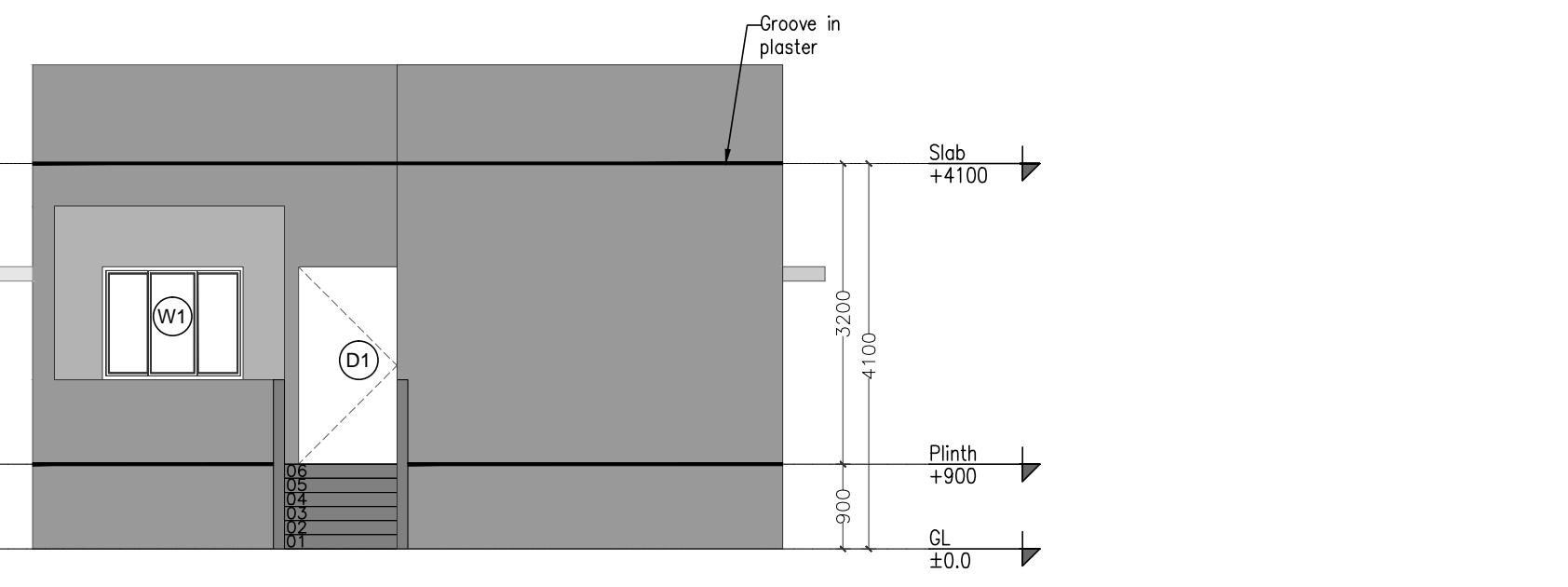
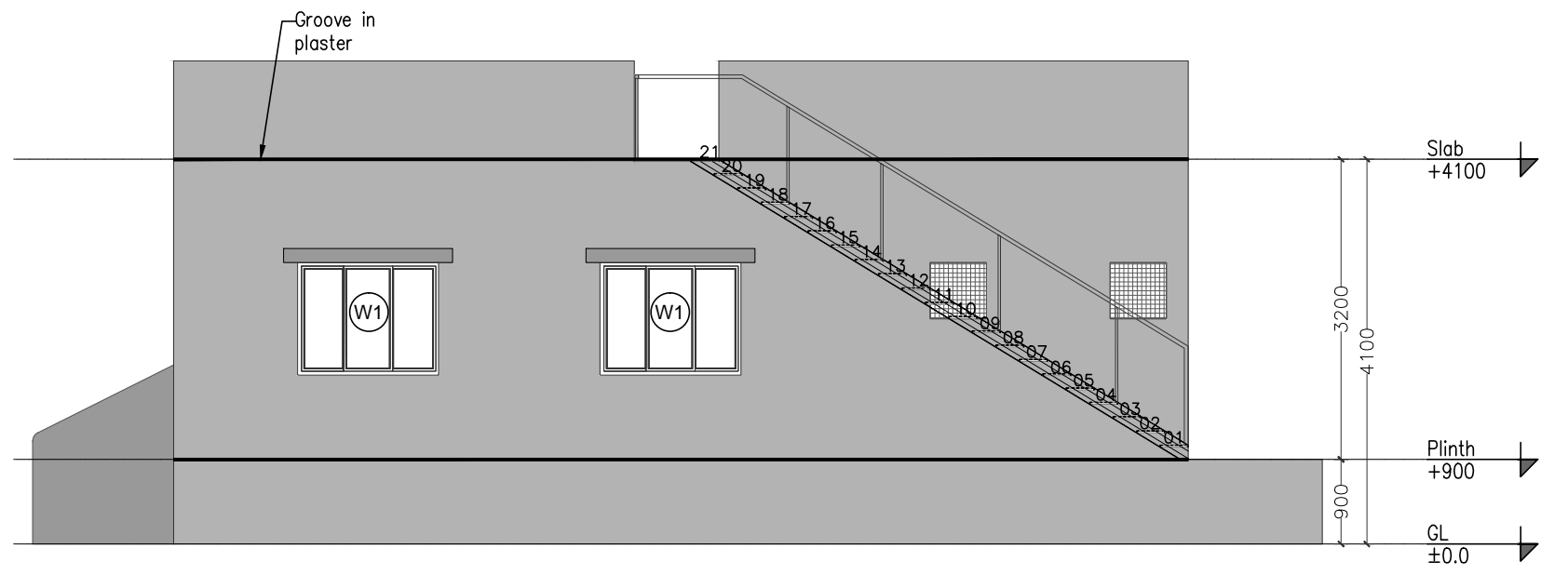


PLOTTED BY: Karmal B. Patel
 LAST SAVED BY: kpatel1 16/4/25 6:01 PM
 This drawing is property of Mamta Shah & Associates. Without our prior consent, it must be neither copied nor made available to third parties for the purpose other than for which it is meant.

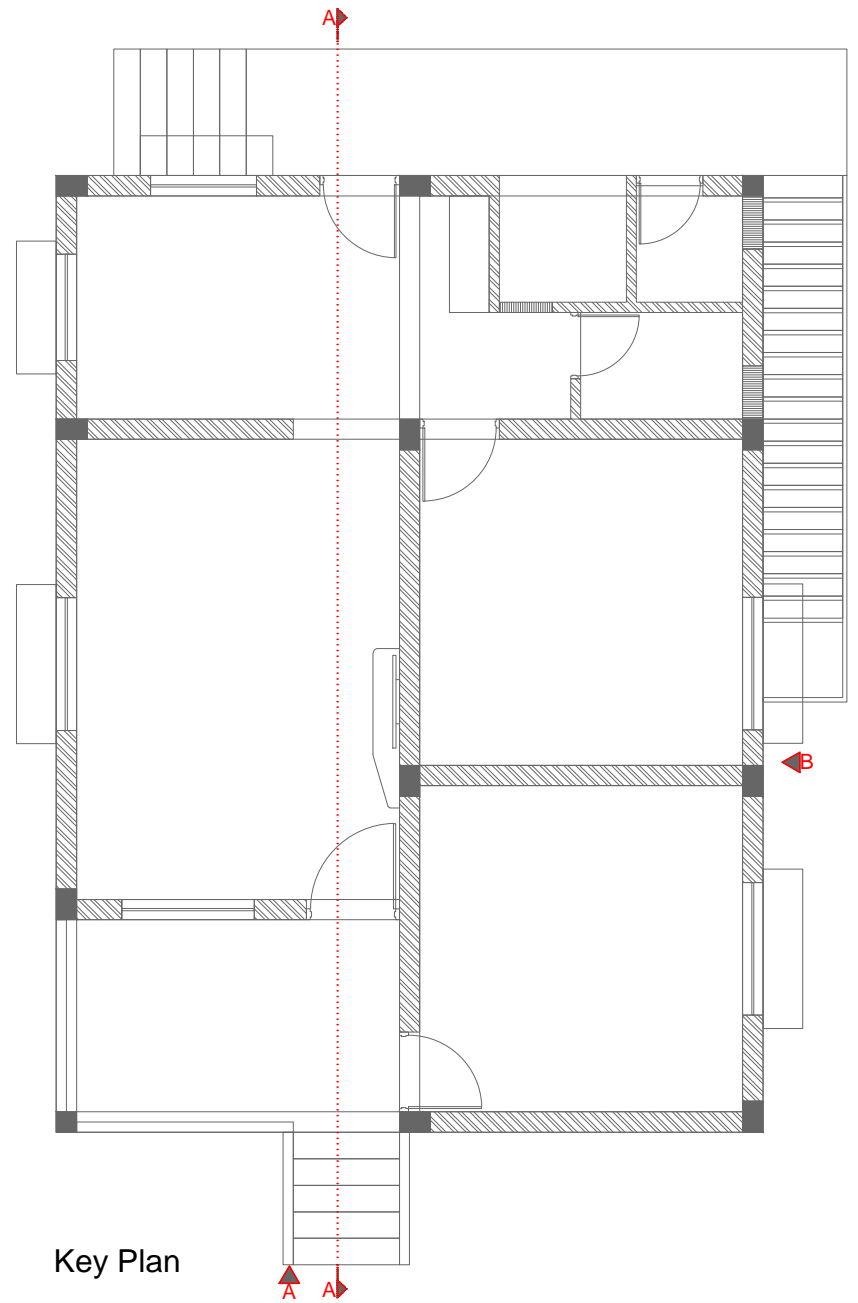


Section AA



Schedule of Doors			
Name	Size		Lintel
	Width	Height	
D1	1050	2100	2100
D2	900	2100	2100

Schedule of Windows				
Name	Size		Sill level	Lintel level
	Width	Height		
W1	1500	1200	900	2100



Key Plan

Rev	Date	Issued	Issued to	Tender	Author
R0	16-04-25	Softcopy	GMDC		KBP

Key Plan:

Project: GMDC_Rajpardi			
Drawing: Section & Elevation			
Sheet 03 of 03			
Drawing Code: 2402_ARC_TD_01_R0			
Print Size: A3	Scale: 1:75		
File Title: 2402_ARC_TD_01_R0			
Project Code: MSA 2402	Project Type: ARC	Location: Rajpardi	
Print Date: 16-Apr-25	Drawn By: K Patel	Checked By: K Patel	Approved By: M Shah

Architect:



MAMTA SHAH & ASSOCIATES
 Architects & Interior Designers
 C-12, Chanakyapuri Society,
 Chanakyapuri, Char Rasta,
 New Sarna Road, Baroda
 Ph. No. +91 265 2712267 / 2710967
 mamta@msain.com / www.msain.com

Client:



Gujarat Mineral Development Corporation