



Gujarat Mineral Development Corporation Limited

Tender Document For

**The Work of “Supply & Replacement of Spares for Balance of Plant
(BOP) area”**

At

GMDC’s 2x125 MW Akrimota Thermal Power Station

Tender Number: GMDC/POWER/ATPS/ 03 /24-25

**GENERAL MANAGER (POWER)
Gujarat Mineral Development Corporation Ltd.
(A Govt. Of Gujarat Enterprise)**

CIN: L14100GJ1963SGC001206, GST: 24AAACG7987P1ZT

Khanij Bhavan, 132’ Ring Road, University Ground, Vastrapur, Ahmedabad 380 052

EPABX: 079-27913501, 27913200

E-mail: gm.power.co@gmdcltd.com, Website: www.gmdcltd.com



Contents

Cl. No.	Particulars	Page No.
1.	Purpose of the Document	7
2.	About GMDC	7
3.	Location of Work	7
4.	About ATPS Project	7
5.	General Instructions to Bidder	8
5.1	Cost of Bidding	8
5.2	Due Diligence	8
4.3	Clarification of Bidding Documents	8
5.4	Amendment of Tender Document	8
5.5	Contact Details	9
5.6	Language of Bid	9
5.7	Late Bids	9
5.8	Right to Accept Proposal	9
5.9	Site Visit	10
5.10	Period of Validity of Bids	10
5.11	Subcontract	10
5.12	Consortium / Joint Venture	10
5.13	Change in Law	10
5.14	Interpretation	11
5.15	Declaration	11
6.	Earnest Money Deposit	11
7.	Tender processing Fee	12



8.	Security Deposit	12
9.	Procedure for Submission of the Bid	13
10	Eligibility and Qualification Criteria of Bidder	14
10.1	Experience	14
10.2	Financial	15
10.3	Site Visit Certificate	15
10.4	Blacklisting of the Bidder	16
11	Evaluation of Bids	16
11.1	Completeness of Bids	16
11.2	Tender Clarifications	16
11.3	Rejection of Bids	16
11.4	Opening of Bids	16
11.5	Selection of Bidder	17
11.6	Discussion	17
11.7	Acceptance of LOI	17
12.	Scope of Work with BOQ	18 to 20
13.	Period and Duration of Work	21
14.	Liquidated Damages (LD)	21
15	Measurements	22
16.	Transit Insurance	22
17.	Goods & Service Tax	23
18.	Payment	23
19.	Mode of Payments	24
20.	Performance Guarantee	24
21.	Bankruptcy	24



22. Notice	25
23. Canvassing Not Permitted	25
24. Non-Fulfillment of Terms and Condition of The Contract	25
25. General Conditions	26
26. Termination of Contract	27
27. Governing Law	27
28. Jurisdiction	28
29. Arbitration	28
30. Completion of Work	28
31. Accident and Responsibilities of Bidder	29
32. Foreclosure	29
33. Force Majeure	29
Annexure – A, Instruction to Bidders for Online Tendering	31
Annexure – B List of Banks for submission on EMD	32
Annexure – C Bank Detail for RTGS	33
FORM – PA to PG	34 to 40
PRICD BID FORM – PP	41
Format of Bank Guarantee for SD	42



TENDER NOTICE

Tender Number: GMDC/POWER/ATPS/ 03 /24-25

Brief Description of work	The Work of “Supply & replacement of Spares for Balance of Plant (BOP) area” as per scope of work
Location of Work	The required materials to be supply & replacement at 2x125 MW Akrimota Thermal Power Station, Village: Nanichher, Taluka: Lakhpat, District: Kutch, Gujarat.
Period of contract	The period of contract will be 04 months from the date of acceptance of LOI.
Estimated Contract Value	Approximately Rs. 1,81,20,000 (Rupees One Crore Eighty-One Lakhs Twenty Thousand only) for total work excluding GST.
Availability of Tender	Tender Document will be available on the GMDC website (www.gmdcltd.com) and nprocure portal (https://gmdctender.nprocure.com). Price Bids shall be required to be submitted online only on the n-procure portal (https://gmdctender.nprocure.com).
EMD (Earnest Money Deposit)	Rs. 5,43,600/- (Rupees Five Lakhs Forty-Three Thousand Six Hundred only) in Form of <ul style="list-style-type: none"> ➤ DD in favor of GMDC Ltd. Payable at Ahmadabad. ➤ Digital Mode, please note if payment is made through Digital Mode kindly submit the receipt of the same in the attached documents. RTGS details for payment (Annexure-B) ICICI Bank, Ahmadabad Branch, Ahmadabad Account Number: 002405019379 IFSC: ICIC0000024 <p><i>Relaxation in terms of submission of EMD shall be given to the bidder who is holding valid Certificate issued under the MSME Act, 2006 on the date of submission of Tender.</i></p>
Tender Processing Fee	Rs.15000/- (Two Fifteen Thousand only) plus GST @ 18% aggregating to Rs.17,700/- payable by Demand Draft/ Pay Order drawn in favor of “GMDC Ltd.” payable at Ahmadabad. <i>Relaxation in terms of submission of Tender Processing Fee shall be given to the bidder who is holding valid Certificate issued under the MSME Act, 2006 on the date of submission of Tender.</i>



Commencement of tender	From - 24th Sept 2024
Last date for download the tender document.	04th Oct 2024 up to 18.00 Hours
Last date of submission of bid through online	04th Oct 2024 up to 18.00 Hours
Last date of submission of physical documents i.e. EMD, Tender Processing Fee etc.	04th Oct 2024 up to 18.00 Hours at Corporate Office, GMDC, Ahmedabad
Date and time for online opening of preliminary bid.	05th Oct 2024 at 11.00 Hours
General and Important Terms and Conditions	<ol style="list-style-type: none"> 1. GMDC reserves absolute right/discretion to accept and/or reject any or all the tenders received or invite fresh bid at any stage or split the work between more than one Bidders as the case may be. 2. The Bidders are required to quote the rate as per the terms and conditions mentioned in the Tender document. Conditional tender shall not be entertained and will be rejected summarily without assigning any reasons, whatsoever. 3. GMDC may issue amendments/corrigendum in the tender documents, schedule, forms etc. at any time during the period between publication of notice and submission of bids of the tender on website. The Bidders in their own interest are advised to visit the website regularly till the last date of submission of the bid. No separate newspaper advertisement will be released for amendments/corrigendum. 4. GMDC reserves the rights to modify or alter any Condition of the Tender. 5. The Bidders are advised to submit their price bid online on https://www.gmdctender.nprocure.com only. Physical price bid shall not be accepted and shall be rejected summarily without assigning any reasons, whatsoever. 6. Failure to submit online bid in stipulated time due to any reason whatsoever by any Bidder shall result in disqualification of bid. In such circumstances, bid submitted physically along with supporting documents, tender processing fees, EMD amount etc. shall not be considered as bid submitted and the same will be returned back to the Bidder without opening the same. GMDC reserves the right to take suitable decision in this regard.



1. Purpose of the Document

The Tender Document (this document) floated by GMDC (Gujarat Mineral Development Corporation Limited), A Government of Gujarat Enterprise is to select a successful bidder who would be responsible for the work of “Supply of Spares for Balance of Plant (BOP) area” as per scope of work at Akrimota Thermal Power Station at the quoted commercials and executed contract terms & conditions.

2. About GMDC

Gujarat Mineral Development Corporation Limited herein after referred to as GMDC, a Government of Gujarat Enterprise, is a pioneer company in the field of mining for six decades, catering to the needs of the minerals and solid fuel for the industries based in Gujarat. GMDC’s mining activities are spread all over Gujarat. It is currently dealing in minerals like Lignite, Bauxite, Fluorspar, Ball Clay, Silica sand and Manganese. GMDC has also set up a 250 MW lignite based Thermal Power Station at Nani Chher in Kutch, Wind power plant of 200.9 MW at Maliya, Jodiya, Godsar, Bhanvad, Bada, Varvada, Rojmal and Solar Power plant of 5 MW at Panandhro Project.

3. Location of Work

Akrimota Thermal Power Plant Station (ATPS) is located at Village Nani Chher of Lakhpat Taluka in Kutch District of the Gujarat State. The project is located about 150 kms from Bhuj. The nearest Railway Station and Airport is at Bhuj.

4. About ATPS

GMDC has 2*125 MW Thermal Power Project called ATPS. Both the units have been in commercial operation since March, 2005. It is getting Lignite from its own mines located at Mata no Madh and Umarsar. The water requirement for the power plant is taken from the nearest Kori Creek through a 1.4 KM long sea water intake channel. The CFBC boiler is used here as it is environment friendly and controls sulphur in the flue gas emission. A 100 metre thick green belt surrounds the entire site. The state of the art technology DCS has been used.



5. General Instructions to Bidder

The section aims to provide guidelines/Instructions for Bidders, to be used while submitting the Proposals.

5.1 Cost of Bidding

The Bidder shall bear all costs associated with the preparation and submission of its bid and GMDC LTD., shall no event or circumstance be held responsible or liable for these costs, regardless of the conduct or outcome of the bidding process.

5.2 Due Diligence

The Bidder is expected to and shall be deemed to have examined all instructions, forms, terms and specifications and other information in this Tender Document. The bid should be precise, complete and in the prescribed format as per the requirement of the Tender Document. Failure to furnish all information required by the Tender Document or submission of a bid not responsive to the Tender Document in every respect will be at the Bidder's risk and may result in rejection of the bid. GMDC LTD. shall at its sole discretion be entitled to determine the adequacy/ sufficiency of the information provided by the Bidder.

5.3 Clarification of Bidding Documents

GMDC LTD. shall make best efforts to respond to any request for clarification of the Tender Document. The response/clarification shall to the extent possible be made in writing.

5.4 Amendment of Tender Document

At any time before the deadline for submission of bids, GMDC LTD may modify the tender Document for any reason, whether at its own initiative or in response to a clarification requested by a prospective Bidder, modify the Tender Document by amending, modifying and/or supplementing the same. Any amendments/modifications in the tender document would be displayed on GMDC Web Site/nprocure website and all such amendments shall be binding on the Bidder without any further act or deed on GMDC LTD part. In the event of any amendment, GMDC LTD reserves the right to extend the deadline for the submission of



the bids, in order to allow prospective Bidder reasonable time in which to take the amendment into account while preparing their bids. GMDC LTD may at its sole discretion, extend this deadline for submission of bids by amending the bid documents.

5.5 Contact Details

All inquiries concerning this procurement are to be addressed to the following:

GENERAL MANAGER (POWER)
Gujarat Mineral Development Corporation Ltd.
(A Govt. Of Gujarat Enterprise)

Khanij Bhavan, 132' Ring Road, University Ground, Vastrapur, Ahmedabad 380 052

EPABX: 079-27913501, 27913200

E-mail: gm.power.co@gmdcltd.com, Website: www.gmdcltd.com

5.6 Language of Bid

All Proposals and various documents related to these Proposals should be in English Language. All correspondence between GMDC LTD., and the Bidder would also be in English Language. Supporting Documents and Printed Literature furnished by the Bidder may be in another Language provided the same are accompanied by an accurate translation in English Language.

5.7 Late Bids

Any bid received by GMDC LTD. after the deadline for submission of bids prescribed by GMDC LTD., summarily rejected. GMDC LTD. shall not be responsible for any postal delay or non-receipt /non-delivery of the documents. No further correspondence on this subject will be entertained.

5.8 Right to Accept Proposal

GMDC LTD reserves the right to accept or reject any Proposal, and to annul the Proposal process and reject all Proposals at any time prior to award of contract, without thereby incurring any liability to the affected Bidder or any obligation to inform the affected Consortium of the grounds for such decision.



5.9 Period of Validity of Bids

Bids shall remain valid for 180 days after the date of bid opening prescribed by GMDC LTD, pursuant to the Tender schedule mentioned in this document. In exceptional circumstances, GMDC LTD. may solicit the Bidder's consent to an extension of the period of validity. The request and the response thereto shall be made in writing. Extension of validity period by the Bidder shall be unconditional.

5.10 Subcontract

The Successful bidder shall not assign or sub-contract any portion of this work without prior written consent of GMDC.

5.11 Consortium / Joint Venture

Consortium / Joint Venture are not allowed.

5.12 Change in Law

Nothing in this contract shall entitle the Bidder to claim additional payment against the work executed or being executed or likely to be executed upon the change in law by Government of India or State of Gujarat as regards any taxes, liabilities arising out of work contract, judgments of court etc. That nothing under the said laws shall create any additional liability on the GMDC over and above that set out herein. That unforeseen circumstances in the working of the said contract shall not entitle the Successful Bidder to abandon or demand additional payment under a different head not originally mentioned herein and hence nothing except what is contained in the present contract shall constitute binding obligations between parties.

5.13 Interpretation

That no communication preceding or following the present tender shall have any bearing on the terms and conditions set out herein. That no contract, promise or obligation shall arise out of the said communication, over and above what is set out herein above. That the terms contained herein constitute the entire bargain between the parties and shall not be interpreted in the light of commercial correspondence between the parties.



5.14 Declaration

The Bidder should submit the declaration regarding unconditional acceptance of all the terms and conditions of the Tender document including Annexure and corrigendum if any and it has not enclosed any conditional offer as per FORM PD provided in the Tender Document.

GMDC is authorized to take suitable decision and action in case of requirement to amend/alter the contract conditions/quantities of the works/ extension of the contract period/allotment of additional works/revision of the rates of the work etc. if necessary, in the interest of GMDC.

The Successful bidder shall not change the constitution of the firm/name during the currency of the contract without prior approval of GMDC. Upon such change in constitution and/or name, Supplementary agreement to that effect shall be executed and if the SD is submitted in form of BG/FD than fresh BG in the name and/or constitution shall be submitted failing which necessary action as deemed fit by GMDC shall be taken.

6. Earnest Money Deposit

A non-interest-bearing Earnest Money Deposit Rs. 5,43,600/- (Rupees Five Lakhs Forty-Three Thousand Six Hundred only) in any one of following form

- Demand Draft in favor of GMDC Limited Payable at Ahmadabad

OR

- Digital Mode, please note if payment is made through Digital Mode kindly submit the receipt of the same in the attached documents. RTGS details for payment (Annexure-B)

ICICI Bank, Ahmedabad Branch, Ahmedabad

Account Number: 002405019379

IFSC: ICIC0000024



Relaxation in terms of submission of EMD shall be given to the bidder who is holding valid Certificate issued under the MSME Act, 2006 on the date of submission of Tender.

7. Tender Processing Fee

The Tender Processing Fee is to be paid at the time of submission of supporting document of technical bid in the form of demand draft of Rs. 15,000/- plus GST @ 18% (Rs. 2700) aggregating Rs 17,700/- as mentioned in tender notice in the sealed technical bid cover.

If the amount mentioned in the DD is found short, the tender will not be considered for scrutiny and will be out rightly rejected.

Relaxation in terms of submission of Tender Processing Fee shall be given to the bidder who is holding valid Certificate issued under the MSME Act, 2006 on the date of submission of Tender.

8. Security Deposit

8.1 Security Deposit is measure of liquidated damages sustained by GMDC for not performing the contract satisfactorily. Nothing herein above shall disentitle GMDC from claiming the damages actually sustained in the value over and above the Security Deposit.

8.2 The successful bidder shall submit security deposit of 10% of the total contract value excluding Goods & Service Tax (GST) Within 10 days from the date of receipt of acceptance of LOI in any one of following form.

➤ Demand Draft in favor of GMDC Limited Payable at Ahmadabad

OR

➤ Bank Guarantee issued by banks approved by Govt. Of Gujarat from time to time (except Co-Operative bank) in the form and manner acceptable to GMDC (Govt. GR is annexed at “B” for approved bank). It should be valid for a period of contract period from the date of receipt of LOI and shall be renewed from time to time in case of requirement.

8.3 It shall be refunded to the Successful bidder, within a period of six months after satisfactory completion of the work and the due fulfillment of all the terms and conditions of the contract.



- 8.4** The Successful bidder shall obtain “No Dues Certificate”, and “Work Completion Certificate” from Head (PP & A) ATPS and shall submit the same to General Manager (Power) at HO, who after verification of the fact will arrange for refund of SD.
- 8.5** The successful bidder will also have to submit “NO DEMAND CERTIFICATE” along with the above mentioned certificate.
- 8.6** The SD deposited by the Successful bidder shall be forfeited if the successful bidder fails to adhere to fulfill the conditions of work order.
- 8.7** Security deposit shall not bear any interest under any circumstances.
- 8.8** GMDC will reserve the right to recover the charges or the liquidated damages from the Security Deposit in the following circumstances-
- 8.8.1** If the successful bidder or its employees causes any damage or destroy any property belonging to GMDC.
- 8.8.2** The shortfall amount of all compensations, penalties, and other sums of money payable by the successful bidder or recoveries to be made under the terms of this contract which is due but not paid by the successful bidder in full, etc.
- 8.8.3** Any other dues on account of statutory compliance.

9. Procedure for Submission of the Bid

- 9.1** Offers prepared in accordance with the procedures enumerated below.
- 9.2** Bid should be submitted **online** at www.nprocure.com on or before the last date and time as prescribed in this tender.
- 9.3** The Bidder should submit their bids in Three parts, these are
- 9.3.1** Prequalification bid (Details of EMD and Tender processing Fee),
- 9.3.2** Technical Bid
- 9.3.3** Price Bid.
- 9.4** Manual price bids or the bids submitted by e-mail etc. will not be accepted under any circumstances. No correspondence will be entertained on this matter.



9.5 Bidders are advised to follow the ‘Instructions for Bids Submission’ given annexure “A” for e-submission of the bids online through n-procure.

Documents should be submitted as per check list given in form “PA” through ‘off-line’ in the sealed cover super-scribed as “**Technical Bid for Tender Number GMDC/POWER/ATPS/ 03 /24-25 and Name of work: “Supply and replacement of Spares for Balance of Plant (BOP) area” at at 2x125 MW Akrimota Thermal Power Station, Village: Nanichher, Taluka: Lakhpat, District: Kutch, Gujarat.**

Bids must be submitted as per the schedule (date & time) indicated in tender notice.

10. Eligibility and Qualification Criteria of Bidder

10.1 Experience

The Bidders should have following minimum experience of having successfully completed similar works during last 7 (seven) years ending on last day of Aug 2024 (i.e. period from 01.09.2017 to 31.08.2024):

A. Three similar completed works each having amount of Rs 72,48,000/- (Rupees Seventy-Two Lakhs Forty-Eight Thousand Only) or more during last 7 (seven) years. (i.e. period from 01.09.2017 to 31.08.2024)

OR

B. Two similar completed works each having amount of Rs 90,60,000/- (Rupees Ninety Lakhs Sixty Thousand Only) or more during last 7 (seven) years. (i.e. period from 01.09.2017 to 31.08.2024)

OR

C. One similar completed work having amount of Rs 1,44,96,000/- (Rupees One Crore Forty-Four Lakhs Ninety-Six Thousand Only) or more during last 7 (seven) years. (i.e. period from 01.09.2017 to 31.08.2024)

Similar works means the Bidders should have experience to carry out one or more following works for Government/Semi Government / Corporation/Private Limited Company and should have been carried out under the single LOI/Work Order/Agreement.



- Design, Supply, Installation, Testing & Commissioning work of Balance of Plant machinery/ equipments of power plant and should have been carried out under the single LOI/Work Order/Agreement.

OR

- Supply of industrial spares and should have been carried out under the single LOI/Work Order/Agreement

Bidder shall submit the details of work completed in form PC as provided in the Tender Document Separate year wise Statement of experience with work orders and work executed certificates (Work Completion Certificate) duly certified by the certificate issuing authority shall be submitted as supporting documents.

Copies of these supply orders should be attached with the Technical Bid

10.2 Financial

10.2.1 Bidder must have an average positive Net Worth as on last three financial year of 31.03.2022, 31.03.2023 and 31.03.2024.

10.2.2 Bidder must have a Minimum Average Turnover of Rs 54,36,000/- (Rupees Fifty-Four Lakhs Thirty-Six Thousand Only) for financial year ending on 31.03.2022, 31.03.2023 and 31.03.2024.

10.2.3 A certificate from Chartered Accountant regarding financial capacity shall be submitted as per format provided in FORM PC of the Tender Document.

10.3 Site Visit Certificate

The Bidders are requested to carry out site visit to understand the actual requirement of spares and specifications if any and should give a declaration of site visit as per the format provided in FORM PG of the Tender Document.



10.4 Blacklisting of the Bidder

The Bidder or its directors have not been blacklisted by any Government Organization. The Bidder will submit a declaration to this effect as per the format provided in FORM PD of the Tender Document. If at any time such declaration is found false, the bid will be rejected or if the contract work is already awarded, it will be terminated forthwith without payment of any compensation and the EMD/SD will be forfeited.

11. Evaluation of Bids

11.1 Completeness of Bids

GMDC, will examine the bids to determine whether they are complete, whether they meet all the conditions of the Tender Document and Technical Specifications, whether any computational errors have been made, whether required sureties have been furnished, whether the documents have been properly signed, and whether the Bid Documents are substantially responsive to the requirements of the Tender Document.

11.2 Tender Clarifications

The GMDC may at its discretion, seek from any or all bidders, clarifications on his/their bids, including technical information, documents and materials after technical bid opening but before opening of commercial bid.

11.3 Rejection of Bid

A bid that does not meet all eligibility criteria or is not responsive shall be rejected by GMDC. Submission of false or incorrect information, history of delayed work, reports of unprofessional conduct, among other things, shall be sufficient grounds for disqualification in technical bid.

11.4 Opening of Bids

Technical bids will be opened after verification of receipt of payment towards Tender Processing Fee and EMD. The eligible bidders will be able to view the technical bids



after opening of technical bid. On verification of the supporting documents, technical qualification of the bidders will be assessed. The eligible bidders will be communicated the date and time of online opening of price bids by telephone or email. However, all bidders will be able to view the price bids online on their computers after opening of price bid.

11.5 Selection of Bidder

The contract will be awarded to the bidder who stands L1 in total price. The GMDC reserves its right to reject any or all tenders or split the job between more than one bidders without assigning any reason and thereby without incurring any liability to the affected successful bidder or Bidders or any obligation to inform the affected successful bidder or bidders of the grounds for GMDC Ltd., action/decision.

11.6 Discussion

It is essential for the successful bidders to quote the lowest price at the time of making the offer in their own interest. GMDC, however, will have the discretion to choose to enter any mode of discussion or not.

11.7 Acceptance of LOI and Issuance of Work Order:

- 11.7.1** GMDC, on acceptance of the offer, will issue Letter of Intent to the successful bidder, who will be required to confirm its acceptance of the LOI within 10 days from the date of receipt. If he does not accept the LOI within stipulated period, the amount of the EMD paid will be forfeited and necessary further actions may be initiated as may be deemed fit by the GMDC.
- 11.7.2** The Successful bidder shall have to submit the Security Deposit with within 10 days from the date of LOI. The Successful bidder shall submit the Security Deposit in the manner prescribed in this Tender Document after that issuance of work order. In case of failure to submit the security deposit, the amount of EMD will be forfeited and necessary further actions may be initiated as may be deemed fit by the GMDC.
- 11.7.3** GMDC will award the Work Order to the successful bidder, after the payment of Security Deposit, in token of acceptance of the terms and conditions of the contract,



within 30 days from date of LOI. In case of any necessity arising after executing work order and during the execution of the work, which requires alteration/modifications in the agreement, the same can be made in writing after mutual understanding and consent of both the parties.

12. Scope of Work with BOQ

Supply of Spares & Replacement for Balance of Plant (BOP) are as per following details specifications and Qty.

Sr. No.	Component/ Area	Item	Qty (Nos)	Detail Specifications
1	CW system	CW system: Supply & replacement Complete assembly of 750NB rubber below with fasteners	9	Rubber Expansion Bellow with Retainer Rings,Control units,Stretcher plates & Fastners,Size:750 NB,F TO F:350 mm,No of arc:One,Type of Arc:Open,MOC:Neoprene inner tube & outer cover,Drg no:CEPL/GMDCL/BB-291/01,REV:0,MAKE:M/S Cori engineers pvt ltd,Chennai.
2		CW system: Supply & replacement of complete assembly of 750 NB BFV with gear box	9	Size:750 NB with gear box, body:Cast iron (internally corocoated 1mm DFT),Type:Double flanged,Body seat ring:SS 316L,disc seal:Nitrile rubber,Disc:Cast iron(fully corocoated 1mm DFT,with clamping ring segmented:SS 316,Drg no:TC 2C1.25.0122.2,Make:M/s Kirlosker Brothers Ltd.
3		CW system: Supply & replacement of fills for cooling tower	7	PVC Film Fills for M/s BDT Make cooling tower,Size:16.2 M (L) x 16.2 M (W) x 1.8 M (H),Sheet thickness-0.30 to 0.40 mm, Flute size-27 mm, Make:M/s M.M Aqua Technologies ltd.
4		CW system: Supply & replacement of Drift eliminator for cooling tower	7	PVC Honeycomb type Drift eliminators for M/s BDT Make cooling tower,Size: 16.2 M (L) x 16.2 M (W) x 130 mm HT,Colour-White,Make: M/s M.M Aqua Technologies ltd.
5		CW system: Service charges of replacement of CT fills & Drift eliminator of cooling tower	7	Service charges of replacement of CT fills & Drift eliminator of cooling tower
6		CW system: Supply of required chemical (Qty for One year) for cooling tower chemical treatment.	1	1)Polymeric Dispersant,Code:3DT120,Qty:10000Kg/year, Make: Nalco, pH(neat):2.70-3.30,Appearance:Clear yellow, foam: liquid, Sp.Grav at 20 degree :1.58-1.68 2)Scale Inhibitor, Code:- YIN00215,Qty:15000 Kg/year, Make:Nalco, pH:less than 2 of 1%,foam:liquid.



				3) Biodispersant, Code:- N7308,Qty:300 Kg/year, Make: Nalco,pH(neat):6.0,Appearance:Clear,foam:liquid,Sp.Grav at 15 degree:1.22,Order:Sweet.
7	SWTP	SWTP system: Supply and replacement of GSF inlet & outlet gate with out actuator & with foundation frame	14	C.I Slice gate spigot end type with Guide LH RH, SS-410 rising spindle,SS-410 coupling, C.I Bracket, SS -410 Fastners including C.I head stock without electrical actuator generally as per IS-3042.Size:450 x450mm(CL to OPL-1.255 Mtr) -7 nos.& 500 x 500 mm (CL to OPL-2.65 Mtr)-7 nos.Drg No:MTI/WT-02-03/166 Rev 1,Make:Mecha Tech industries-Howrah.

- All types & sizes of gaskets, fastners (M.S/SS316L/G.I),welding electrodes,cutting wheel, grinding wheel, oxygen & DA cylinder with cuttingtorch & consumable as per required quantity for carry out above mentioned work at site shall be in scope of successful bidder.
- Reference Drawings are attached in annexure for bid purpose only. Your entity has to develop drawings for the items of supply and got approved from GMDC. Your entity has to approve sample of material before bulk supply. Your entity has to give interchangeability & fitment guarantee/warranty for all developed supplied material.
- Prospective your entity may visit at site for inspection of item to be quoted. For quote purpose Your entity has to take dimensions for fitment guarantee & collect sample of material for ascertaining MOC
- Any type of civil work required for the execution or completion of work at site should be in scope of your entity.
- Your entity shall have to supply the above spares as per the specifications otherwise shall be rejected.
- Your entity shall submit all kind of test certificate for chemical composition and mechanical properties of the supplied each materials.



- Your entity has to supply one sample along with drawing of each item for approval to GMDC, and after getting approval, shall supply balance quantity. Information to be given to GMDC well in advance.
- GMDC has right to conduct any test of all spares, if required from Govt. Approved laboratory and results of same shall be binding to your entity. Your entity may witness the same.
- Your entity need to supply OEM/OES spares with required certificate.
- Quantity of supply items may increase or decrease as per requirement of ATPS, it should be increase 10% of total contract value.
- Unloading, loading, lifting, shifting, storage & security arrangement of supplied materials at designated location inside ATPS & at site shall be in your entity's scope.
- Collection & shifting of old removed material/scarp from site to scarpyard / main store or designated location inside ATPS by hydra/loader/JCB/Trackter trolley shall be in your entity's scope.
- The arrangement of hydra/loader/JCB/Trackter trolley as per required at site shall be in scope of your entity.



13. Period and Duration of Work

- 13.1** Supply & Replacement of all Material Within 4 months from the date of acceptance of LOI. However, period of contract may be extended for another period of three months with same terms and conditions at the sole discretion of GMDC.
- 13.2** In case of any reason including adverse working conditions during execution of the contract that may compel suspension/closure of the contract, GMDC shall be at liberty to conclude/postpone/complete/terminate/foreclose this contract. No compensation or payment shall be made on account of afore-stated events. Decision of GMDC in this regard shall be final and binding to the successful bidder.
- 13.3** GMDC reserves the right to review and assess the performance of the work at any time during the contract period. In case of poor or unsatisfactory performance and/or breach of any terms and conditions of the contract, GMDC shall have discretion to take appropriate action including termination of the contract.

14. Liquidated Damages (LD)

- 14.1** Your entity fails to supply all the spares/materials, GMDC shall reserve right to procurement of material at your entity's risk & cost with 20% administrative charges.
- 14.2** LD for late supply of spares/materials shall be leviable at @ 0.1 % of amount of particular spares/material per day for any delay beyond the time specified in the tender documents with the maximum sealing limit of 10 % of the total contract value.
- 14.3** Overall cap on late supply / Not supply of material the total LD shall be 10 % of the total contract value.
- 14.4** Looking to this, if the delay in completion of the works happens which can be attributed to the successful bidder, the GMDC will be free to forfeit the EMD and /or SD, or both the EMD and SD.
- 14.5** For calculation of LD, date of acceptance of LOI shall be the reference date.



15. Measurements

- 15.1** Supply of spares, equipments & Materials as per scope of supply shall be counted for payment, If the supply is not completed as per scope of supply and any part supply is done, then the part supply shall not be counted for payment.
- 15.2** Material test certificate of all supplied spare along with material shall be submitted to GMDC by the Successful bidder.
- 15.3** The complete execution of the work with supply & replacement of Materials and as per scope of work shall be counted for payment. If the work or supply or replacement is not completed as per scope of work or supply and any part work or supply is done, then the part work shall not be counted for payment.
- 15.4** The Successful bidder has to submit the material account statement along with the work measurement sheet. Any Invoice without material account statement shall not be processed, this may please be noted.
- 15.5** All the supplied credited materials shall be the property of GMDC.
- 15.6** All the materials to be supplied as per the scope of works and or supply shall be credited to GMDC only.
- 15.7** The successful bidder shall ensure sufficient availability of the consumables to avoid any delay in completion of the work.

16. Transit Insurance:

- 16.1** Insurance –The Successful bidder shall take full responsibility to take all precautions to prevent loss or damage to the supplied material, works or part thereof for any reasons whatsoever (except for reasons which are beyond control of the Successful bidder or act of God, e.g. flood, riots, war, earthquake, etc.) and shall at his own cost, repair and make good the loss/damage to the supplied material so that on completion, the supplied material, works shall be in good order and condition and in conformity with the requirements of the Contract and instructions of the Project Authority, if any.
- 16.2** The cost of premiums shall be borne by the Successful bidder, and it shall be deemed to have been included in the tendered rate.



17. Goods & Service Tax

- 17.1** All bidders are required to submit their GST number and date in the bid. Bid received from unregistered bidder will not be considered and out rightly rejected.
- 17.2** Bidders are requested to quote their rates without GST. GST will be paid/adjusted/reimbursed to the Successful bidder as per prevailing rates and rules to the extent directly related to the Goods supplied by the Successful bidder under the said contract subject to production of documentary proof and the Successful bidder will mention the GST amount separately in the invoice/bill along with SAC/HSN Code under GST.

18. Payment

- 18.1** Successful bidder shall submit bill of supplied all items within 7 days. Running Account Bill shall be processed after issuance of work order only.
- 18.2** Bill shall be submitted to the office of the Head (PP & A), ATPS with following documents:
- Single RA bill submission with minimum amount of 20% of contract value of Work Order excluding GST.
 - Details of spares, consumables, equipment & Material supplied with GMDC ATPS Gate Security certification, GMDC store certification & GMDC EIC inspection certificate, test certificate of spares/equipments.
 - Any other documents if any as prescribed by GMDC as and when requires.
- 18.3** The Running Account bills, submitted at the office of General Manager (Power Project) will be processed there considering following deductions
- 18.3.1** Income tax as per provision of Income Tax Act, and other Taxes (and surcharges) applicable in force from time to time
- 18.3.2** Cost of any other services provided / material supplied plus 15% administrative charge, if any, by the GMDC.
- 18.3.3** Liquidated damages,



18.3.4 Other deductions, if any.

18.4 Payment @ 100 % of the payable amount arrived after considering above deduction, will be paid by office of the Head (PP & A), within 30 days of submission of the bill along with its details.

18.5 Payment shall be as per actual basis.

19. Mode Of Payment

The mode of payment will be by RTGS.

20. Performance Guarantee

20.1 For all supplied & replacement material, your entity shall abide to accept the clause for the satisfactory performance of the supplied & replacement materials with guarantee of 12 months from date of commissioning or 18 months from the date of supply whichever is earlier.

20.2 During the guarantee period, If any problem surfaces, the Successful bidder shall carry out of repairing / replacing the material or carry out work free of cost. All types of expenses for repair, replacement, labour, insurance, statutory etc shall be in Successful bidder's scope.

20.3 The guarantee covers all types' causes of non-satisfactory performances except natural calamities.

21. Bankruptcy

If the Successful bidder commits an act of Bankruptcy or goes into liquidation except for construction purposes, or if its business is carried on by a receiver, such receiver, liquidator or any person in whom the contract may become vested shall forthwith give notice thereof in writing to GMDC and in reasonable time during which he shall take all reasonable steps to prevent stoppage of performance of the contract, have the option of carrying out the contract subject to his or their providing such guarantees as may be required by GMDC but not exceeding the value of the work for the time being remaining unexecuted.

In the event of stoppage of performance under the contract, the period of option under this clause shall be decided by GMDC considering the situation, provided that the above option is not exercised,



GMDC may terminate the contract by serving notice in writing to the Successful bidder. The power and provision so reserved to GMDC on taking of the work out of the Successful bidder's hands shall apply as far as they may be when the contract is so terminated.

22. Notice

Written notice shall be deemed to have been duly served if delivered to the individual or to the Successful bidder or to the Signing Authority of the GMDC from whom it is intended, or if delivered at or sent by mail or post, to the last business address known to him who gives the notice.

23. Canvassing Not Permitted

23.1 Bidder should not canvass their offer personally or otherwise by approaching the Chairman or the Member of GMDC. If any Bidder wants to make any representation regarding his offer, he should write to the General Manager (Project) if he desires, but personal and oral representations are not permitted.

23.2 In spite of the above clear instructions, any Bidder is found to canvass his offer or against his competitor's offer through personal approach to the competent authority or the officials of GMDC, their offer will be rejected without assigning any reason and the firm even is blacklisted.

24. Non-Fulfillment of Terms and Condition of The Contract

24.1 If the Successful bidder fails to carry out the work as per terms and conditions of the contract to the satisfaction of the GMDC, GMDC shall be entitled to forfeit the security deposit paid by the successful bidder. This however, shall not absolve the Successful bidder from his obligation to fulfill the contract. In such event, the GMDC shall have a right to complete and / or to get the work completed at the cost & risk of the Successful bidder and the Successful bidder shall be responsible to pay such cost incurred by the GMDC to complete the work and / or to get the work completed.



- 24.2** Likewise, if the Successful bidder does not fulfill the terms and conditions of the contract and does not carry out the work up to the entire satisfaction of GMDC, GMDC has the right to forthwith terminate the contract at its sole discretion, without assigning any reason, Under such events, the GMDC shall be entitled to forfeit the security deposit paid by the Successful bidder and the GMDC shall have a right to complete the work and / or to get the work completed at the risk and cost of the Successful bidder.
- 24.3** For any reasons, if it is required, the GMDC reserves rights to cancel, terminate, amend and / or alter the contract and / or bifurcate and / or reduce the contract work at any time without giving any notice or reason to the Successful bidder and without incurring any responsibility.

25. General Conditions

- 25.1** All the persons of the Successful bidder engaged must wear Helmet and Shoes and other PPEs. As and when required other personal protective wears shall also be provided to them by the successful bidder.
- 25.2** The Successful bidder shall take adequate statutorily prescribed insurance cover for all men and machinery engaged by him/it for performance of the work at site. Any insurance claim brought against the GMDC by an individual or by customers or by any such other persons who suffered damage due to negligence of the Successful bidder or his employees, the same shall be settled by the successful bidder at his cost.
- 25.3** The Successful bidder has to ensure supervision of the work through duly qualified and competent persons and also has to make sure that a responsible Manager/ Engineer full time available on work site to whom GMDC can issue the instruction and who can fulfill such instructions. Successful bidder shall appoint qualified Manpower.
- 25.4** The Successful bidder shall not change the constitution of the firm/name during the currency of the contract without prior approval of GMDC. Upon such change in constitution and/or name, Supplementary agreement to that effect shall be executed and if the SD is submitted in form of BG/FD than fresh BG in the name and/or constitution shall be submitted failing which necessary action as deemed fit by GMDC shall be taken.
- 25.5** All the staff members of the successful bidder shall carry Photo Identity Card while on duty.



- 25.6** The successful bidder shall provide necessary arrangement for transportation of manpower.
- 25.7** All the equipment to be deployed by the successful bidder must be maintained in proper working order and be fitted with all the required safety devices enforced by statutory authority e.g. Audio-Visual Alarms, fire extinguisher etc.
- 25.8** In case of any Central/State Government directives regarding electrical works execution, the same shall have to be strictly adhered to and binding upon the successful bidder for implementation, for which GMDC will not be responsible for any compensation.
- 25.9** The successful bidder shall abide by the provision of the Motor Vehicle Act for machinery. Any consequences arising out of non-compliance of said Provisions will be at the successful bidder's sole risk and cost, for which GMDC will not be responsible for any compensation.
- 25.10** To meet the exigencies arising out of natural calamities or disaster or during any emergency, GMDC reserves the right to take away any of the equipment's / machineries deployed at the site with a mutually consented rate. A separate agreement will be made to this effect.
- 25.11** MD-GMDC is authorized to take suitable decision and action in case of requirement to amend / alter the work order conditions / quantities of the works / extension of the work completion period / allotment of additional works / revision of the rates of the work etc. if necessary, in the interest of GMDC.

26. Termination Of Contract

If at any time during the currency of this contract, if any breach occurs due to the reasons attributed to the Successful bidder, GMDC shall be at liberty to terminate this contract without assigning any reasons, whatsoever, for such termination and any losses and/or damages occurring due to such termination shall be borne by the Successful bidder. GMDC shall be entitled to forfeit Security deposits as Liquidated damages.

27. Governing Law

This Tender and subsequent Contract shall be construed and interpreted in accordance with and governed by the laws of India.



28. Jurisdiction

The matter related to any dispute or difference arising out of this Tender and subsequent contract shall be subject to the exclusive jurisdiction of Court at Ahmedabad only.

29. Arbitration

All questions, disputes, differences whatsoever which may at any time arises between the parties to this Tender and subsequent contract in connection with the Tender and subsequent contract or any matter arising out of or in relation thereto, shall be referred to Sole Arbitrator as per the provisions of Arbitration and Conciliation Act, 1996 and subsequent amendment thereto and the venue of arbitration proceedings shall be at Ahmedabad only. The Language of the Arbitration shall be in English only.

30. Completion Of Work

- 30.1** Upon the Successful bidder fulfilling the entirety of its obligations under the Contract to the satisfaction of GMDC and subject to terms and conditions of the Contract, it shall become eligible to apply for a Completion Certificate. The Head (PP&A) or The General Manager (Plant) of the GMDC shall formally issue the Completion Certificate, after verifying from the completion documents and satisfying himself that the Works under the Contract have been completed in accordance with all the provisions of this Contract. The Successful bidder, after obtaining the Completion Certificate shall become eligible to present the final bill for the Works executed by it under the Contract.
- 30.2** Upon completion of Works under the Contract and before the application for the Completion Certificate, the Successful bidder shall clear the workplace of GMDC from all rubbish, dirt, structures, scrap, oily rags etc. Failure to clear the workplace may constrain GMDC to clear the said site at the risk and cost of the Successful bidder.
- 30.3** The Successful bidder shall provide GMDC with any and all documents/records/proofs that may be demanded before issuance of Completion Certificate.



30.4 As time is essence of this project, contractor should adhere to duration of contract, except for short fall of raw material in market or delay due to natural calamity. Extension if any may be considered for max 01 month only.

31. Accident and Responsibilities of Bidder

31.1 The entire responsibility on account of any accidents, damage or personal injury which may occurred to any of the Successful bidder's vehicles/ equipments or his/its employees or any outside party shall be exclusively that of the Successful bidder and no claim whatsoever shall be entertain by the GMDC on this account. The Successful bidder shall keep the GMDC indemnified from all the consequence.

31.2 In the event of any breakdown or accident during the course of any operation, the Successful bidder shall notify the facts to the GMDC Authority, or any other officer immediately present there of such incidence and shall simultaneously make adequate remedial arrangements on his/its own cost and risk and as per the instruction of the Corporate office Authority.

31.3 The Successful bidder shall pay all claims, damages and compensation with cost arising out of or resulting there from to the third party(s) and in case the GMDC would be required to face any proceedings all to pay any amount on the aforesaid account, it shall be deemed to have been discharge on behalf of the Successful bidder, the same amount shall be recovered half-an hour rest interval in between. The Successful bidder shall ensure that the attendance of all the supplied manpower shall be taken through biometric attendance machine.

32. Foreclosure

In case of any necessity arising due to local working conditions or any unforeseen reason not in the control of the GMDC or any reason what so ever GMDC shall be at liberty to Fore close the contract without assigning any reasons or notice there for.

33. Force Majeure

Force majeure is herein defined as any cause which is beyond the control of the Successful bidder or the GMDC as the case may be which they could not foresee or with a reasonable amount of diligence could not have foreseen and which substantially affect the performance of the contract, such as:



- 33.1** Natural phenomena such as flood, draughts Cyclone, earthquake and epidemics, declaration of war.
- 33.2** Acts of any government, including but not limited to war, declared or undeclared priorities, quantities, embargoes, providing either party shall within fifteen (15) days from the occurrence of such a cause notify the other in writing of such cases.
- 33.3** The Successful bidder will advise, in the event of his having resort to this clause by a registered letter duly certified by the statutory authorities, the beginning and end of the cause of delay, within fifteen days of the occurrence and cessation of such Force Majeure condition. In the event of delay lasting over two months, if arising out of Force Majeure, the contract may be terminated at the discretion of the GMDC.
- 33.4** For delay arising out of Force Majeure, the Successful bidder will not claim extension in completion date for a period exceeding the period of delay attributable to the causes of force Majeure and neither company nor the Successful bidder shall be liable to pay extra costs (like increase in rates, remobilization, advance, idle charges for labour and machinery etc.) provided it is mutually established that the Force Majeure conditions did actually exist.
- 33.5** If any of the Force Majeure conditions exists in the place of operation of the Successful bidder even at the time of submission of bid, he will categorically specify them in his bid and state whether they have been taken into consideration in their quotations.
- 33.6** The Successful bidder or the GMDC shall not be liable for delays in performing his obligations resulting from any force majeure cause as referred to and/ or defined above. The date of completion will, subject to hereinafter provided, be extended by a reasonable time.



Annexure-A

Instruction to Bidders for Online Tendering

1. All Bidders must submit their bid online through the website <https://gmdctender.nprocure.com>
2. Bidders who wish to participate in online tenders will have to procure / should have legally valid Digital Certificate (Class III) as per Information Technology Act-2000, using which they can sign their electronic bids. Bidders can procure the same from any of the license certifying Authority of India or can contact (n) code solutions- a division of GNFC Limited, who are licensed Certifying Authority by Government of India at address mentioned below at clause 5.
3. All bids should be digitally signed. For details regarding digital signature certificate and related training involved at the below mentioned address should be contacted:

Address:

(n)Procure Cell

(n)Code solutions A division of GNFC

403, GNFC Info-Tower, Bodakdev, Ahmedabad- 380 054 (India)

Tel +91 79- 4000 7300 Fax: +91 79 26857321, Toll Free: 7359021663

E-mail : nprocure@ncode.in

4. Kindly take note that, valid Digital Signature Certificates is a must for all the interested Bidders. Online tendering process is not possible without a valid digital signature certificate.
5. Interested Bidders are also requested to complete their procedure for taking digital signature certificate in respect to filling of application form, supporting documents with necessary fees at least 3 days before last date of tender submission.
6. (n) code solutions reserve the rights to issue digital signature certificate after verification of application forms / supporting documents submitted by Bidder. (n) code solutions is fully authorized to issue digital signature certificate to Bidders.
7. Bidders who have no facility to participate in on-line tenders are requested to contact (n) code solutions for the same.
8. Free vendor training camp will be organized every Saturday between 4.00 to 5.00 P.M. at (n) code solutions-A Division of GNFC Ltd. at address mentioned above. Bidders are requested to take benefit of the same.
9. All the correspondence in respect to training, support or digital signature certificate should be addressed to (n) code solutions directly on the above-mentioned address. In case the Bidders face any difficulty, they may contact the officials of the GMDC or GNFC on the below mentioned details:

a. GMDC:

Contact Person: **GENERAL MANAGER (POWER)**

Khanij Bhavan, 132' Ring Road, University Ground, Vastrapur, Ahmedabad 380 052

EPABX: 079-27913501, 27913200

E-mail: gm.power.co@gmdcltd.com, Website: www.gmdcltd.com

b. GNFC:

Contact Number: 079- 26857316/17/18

E-Mail: nprocure@gnfc.net



Annexure-B

Annexure I.

Finance Department, GR. No.: FD/MSM/e-file/4/2023/4020/D.M.O.

Date: 11/03/2024

(A) Guarantees issued by the following banks will be accepted as SD/EMD on permanent basis:

❖ **All Nationalized Banks**

(B) Guarantees issued by the following Banks will be accepted as SD/EMD for the period up to March 31, 2025. The validity cut-off date in the GR is with respect to the date of issue of Bank Guarantee irrespective of the date of termination of Bank Guarantee.

Sr No	Name of Banks	Sr No	Name of Banks
1	AXIS Bank	19	Kotak Mahindra Bank
2	AU Small Finance Bank	20	South Indian Bank
3	Bandhan Bank	21	Tamilnadu Mercantile Bank
4	City Union Bank	22	Utkarsh Small Finance Bank
5	CSB Bank	23	Ahmedabad Mercantile CO-op. Bank
6	DBS Bank India Limited	24	Nutan Nagrik Sahkari Bank Ltd.
7	DCB Bank	25	Rajkot Nagarik Sahakari Bank Ltd.
8	Equitas Small Finance Bank	26	Saraswat Co-Operative Bank Ltd
9	FEDERAL Bank	27	SVC Co-Operative Bank Ltd.
10	HDFC Bank	28	The Cosmos Co-op Bank Ltd.
11	HSBC Bank	29	The Gujarat State Co-operative Bank
12	ICICI Bank	30	The Mehsana Urban Co-Op. Bank
13	IDBI Bank	31	The Surat District Co-op Bank
14	IDFC First Bank	32	The Surat People's Co. Op. Bank Ltd
15	IndusInd Bank	33	The Kalupur Commercial Co-op. Bank
16	Jana Small Finance Bank	34	Baroda Gujarat Gramin Bank
17	Karnataka Bank	35	Saurashtra Gramin Bank
18	Karur Vysya Bank		

All the eligible banks are instructed to collect the original documents/papers of guarantee from the concerned tendering authority.


(Bhavya Verma)

Deputy Secretary (Budget)
Finance Department

-----XXXXX-----



FORM-PA CHECK LIST OF DOCUMENTS ENCLOSED WITH TENDER

TECHNICAL BID

Sr. No.	Document	Declaration (Strike out whichever is not applicable)
1.	Tender Processing Fee	Yes/No
2.	EMD	Yes / No
3.	Form PA (check list of documents enclosed with tender)	Yes / No
4.	Form PB (Status of the Bidder)	Yes / No
5.	Form PC (CA Certification for Financial Details and work carried out during the last seven years of bidder)	Yes / No
6.	Form PD (Declarations)	Yes / No
7.	Form PE (Undertaking of Genuineness of Document)	Yes / No
8.	Form PF (Undertaking of Indemnity)	Yes / No
9.	Form PG (Site Visit)	Yes / No
10.	Power of Authority to sign the documents (Duly Notarized on Stamp paper of Rs. 300)	Yes / No

PRICE BID

1	Online Price bid submission in Form PP	Yes / No
----------	---	----------



FORM-PB STATUS OF THE BIDDER

Particulars	Details
Name of the Bidder:	
Address:	
Registered office:	
For correspondence:	
Telephone No.	
Fax No.	
E-mail Address	
Attested copies of Deeds, Articles of association to be enclosed	
Name & contact number of person holding power of attorney (Attested copy of power of attorney to be enclosed)	
Names of Partners with their Present and permanent address	
Name of Bankers with full address and Telephone No& Bank Account Details (Cancelled Cheque to be enclosed)	
PAN of Bidder	
GST Registration No. of Bidder	
PF Registration No.	
Whether enlisted in other dept., if yes, then furnish the details pertaining to class and the amount qualified to tender	
Was the applicant or its partners or Directors blacklisted in past by any Govt. or any other body.	
Details pertaining to the work incomplete if any	
Details of the litigation, court cases and arbitration either completed or under progress during last 10 years by the GMDC entity or any partner/proprietor of present entity GMDC was associated in any capacity.	

Signature and Stamp of the Bidder



FORM-PC

1. Turnover and Net Worth

On the basis of the **audited books of accounts** produced before us by M/s. _____, we certify that as per the books of account Net worth and Turn Over of the firm M/s _____ are as under:

1.1 Net Worth= Rs. _____ for the Year ended on 31.03.2022.
 Rs. _____ for the Year ended on 31.03.2023.
 Rs. _____ for the Year ended on 31.03.2024.

Average Net Worth Rs. _____

1.2 Turn Over = Rs. _____ for the Year ended on 31.03.2022.
 Rs. _____ for the Year ended on 31.03.2023.
 Rs. _____ for the Year ended on 31.03.2024.

Average Turnover of Rs. _____

2. Details of Work Carried Out During the Last Seven Years by the Bidder (i.e. period from 01.09.2017 to 31.08.2024):

Sr. No.	Description of work with Workplace	Name of client with postal address	Work Order number and date	Contract Period		Actual Quantity worked	Amount without GST of work order	Work experience certificate attached
				From (Date)	To (Date)			
								Yes/No
								Yes/No
								Yes/No
								Yes/No

Signature and Stamp of the Bidder

Signature and Stamp of the CA



FORM-PD

Declaration

(On letter head of the Bidder)

DATE:

To,

GENERAL MANAGER (POWER)

**Khanij Bhavan,
132' Ring Road,
University Ground,
Vastrapur,
Ahmedabad 380 052**

Dear Sir,

I/we here by solemnly declare that

1. Any of our Directors or Partners, jointly or severally and/or individually or our firm/GMDC have not been black listed by the Central Govt. or the State Govt. or its undertakings.
2. We have not put any condition in our offer with respect to Tender No. _____,
3. We have accepted all the terms and conditions, including Annexure, Corrigendum if any, as specified in the Tender Document No. _____ unconditionally.

I/we here by further declare that, if the declaration is found untrue, the GMDC shall be entitled to take any action against us severally and/or individually or our firm/GMDC in this regard in any manner that may be deemed fit by GMDC.

Yours faithfully,

Signature and Stamp of the Bidder



FORM -PE

(Format for Affidavit)

A F F I D A V I T

**Undertaking Regarding Geniuses of Documents
(On Non-Judicial Stamp Paper Of Rs 300/-)**

I/We, _____, Partner/Director/Legal Attorney/Accredited Representative of M/s. _____ solemnly declare that:

1. I/We are submitting Tender for the work _____ against Tender No. _____
2. None of the Partners/Directors of our firm/GMDC is relative of employee of GMDC.
3. All information furnished by us in respect of fulfillment of eligibility criteria and qualification information of this Tender is complete, correct and true.
4. All documents/credentials submitted along with this Tender are genuine, authentic, true and valid.
5. If it is found at any point of time that our documents are not genuine then in that case our tender will be rejected, earnest money deposited by us will be forfeited and we will be debarred from participating in further/future GMDC tenders and/or any action as deemed fit by GMDC may be taken against us, including termination of the contract, forfeiture of all dues including Earnest Money / Security deposit and banning/delisting of our entity and all related persons etc.

**SIGNATURE OF THE BIDDER
WITH SEAL**

Dated



FORM-PF
Undertaking Of Indemnity
(On Letter head of the Bidder)

To,

GENERAL MANAGER (POWER)

**Khanij Bhavan,
132' Ring Road,
University Ground,
Vastrapur,
Ahmedabad 380 052**

Dear Sir,

We M/s. ----- hereby undertake that, we shall at all times, indemnify and keep indemnified that GMDC Limited from any and all liability for damages resulting from or arising out of or in any way connected with the operations covered by the Tender No. _____. We shall be responsible for all risk arising in connection with or on account of the operations covered by the contract covered by the above tender and shall make good all losses and damages arising there from. In case, the GMDC Limited shall incur any cost or expense or suffer any loss on account of any claim demand or course of action brought against us and arising out of the operations covered by the Bidder/tender, the GMDC Limited shall have the power (without being bound to do so) to define, contest or compromise any such claim demand or cause of action. Any amount that may become payable by GMDC Limited and any cost expense etc. that may be incurred by the GMDC Limited in this behalf, shall also be recoverable from us, without prejudice to your other rights.

Yours faithfully,

For -----

(Signature & Stamp of the Bidder)



FORM-PG

Declaration

(On letter head of the Bidder)

Site Visit

We _____ hereby certify that we have fully understood the site condition in respect of Tender No. _____ for all the works mentioned above at _____. We have obtained all relevant details, information, data, existing working conditions, existing industrial environment etc. We have also studied the working conditions as proposed in the tender and availability of power supply, water supply, manpower, machineries, transportation facility etc.

We hereby agree and undertake not to raise any dispute and/or objection at any stage on any ground whatsoever, during the currency of the contract if awarded to us.

SIGNATURE OF THE BIDDER WITH SEAL

Dated



**FORM-PP
PRICE BID FORM
(To be submitted online)**

Sub.: - Supply and replacement of Spares for Balance of Plant (BOP) area at ATPS.

Sr. No.	Component/ Area	Item	Qty (Nos)	Unit Rate Exc. GST)	Total Amount (Exc. GST)
1	CW system	CW system: Supply & replacement Complete assembly of 750NB rubber below with fasteners	9		
2		CW system: supply & replacement of complete assembly of 750 NB BFV with gear box	9		
3		CW system: supply of fills for cooling tower	7		
4		CW system: supply of Drift eliminator for cooling tower	7		
5		CW system: Service charges of replacement of CT fills & Drift eliminator of cooling tower	7		
6		CW system: cooling tower chemical treatment with dosing system & required chemicals.	1		
7	SWTP	SWTP system: supply and replacement of GSF inlet & outlet gate with actuator & foundation frame	14		
Total Contract Amount (Exc. GST)					

Note:

1. Quoted Price shall be inclusive of all other Taxes and exclusive of GST.
2. Bidders are requested to quote the rates strictly as per the terms and conditions mentioned in the Tender Document. Rate quoted by the bidder should be firm and no price increase will be allowed to the successful bidder during the supply period.
3. The bidder should quote price only on free delivery at our Project basis. The rates other than (FOR project basis) (our project basis) will not be considered.
4. Supply of all the other necessary material required for servicing of items or required during Overhauling activities which is not specifically mentioned (including but not limited to consumables, counter flanges, nuts, bolts, fasteners, gaskets, gland packings, gland rope, support items, fitment items, grease, etc.) for items listed in BOQ of this tender to complete the job will be under Bidder's scope. These materials shall be supplied by Bidder at their own cost with no additional cost/ Time implication on GMDC



Please note the following details for Compulsory e-confirmation for Bank Guarantee through ICICI Bank through SFMS under our:

Gujarat Mineral Development Corporation Limited (GMDC)
132 Ft Ring Road, Near University Ground Vastrapur, Ahmedabad.
Bank Name: ICICI Bank Ltd
IFS Code: ICIC0000024
UIC GMDC530265584 for Field 7037 MT760

FORMAT OF BANK GUARANTEE FOR SECURITY DEPOSITE (SD)

(On Non-judicial Stamp paper to be submitted along with submission of bids)

..... (Name of the Bank)
Address.....
Guarantee No.....
A/C Messrs..... (Name of Bidder)
Date of Expiry.....
Limit to liability (currency & amount)
Invitation for Tender No..... Dated..... (Bidding document)
For..... (Name of Facilities)

Subject: Security Deposit Bank Guarantee.

Date.....20

To,
General Manger (____),
Gujarat Mineral Development Corporation Ltd.
132 Ft Ring Road,
Near University Ground
Vastrapur,
Ahmedabad.

Dear Sir,

In consideration of Gujarat Mineral Development Corporation (hereinafter called "GMDC") which expression shall unless repugnant to the subject of context include his successors and assigns having agreed to exempt M/s..... (herein after called "Bidder") from demand under the terms and conditions of "Technical Bid Document" (hereinafter called the said "Bidding Document") issued by the GMDC vide Tender No. _____ for the work _____

(Name of the facilities) from Security Deposit (SD) of Bid for the due fulfillment by the Bidder of the terms and conditions contained in the said Bidding Document on production of Bank Guarantee for INR

(_____ only) (figure in words).



- 1** We the _____ (Name of Bank) hereinafter referred to as “Bank” having our registered office at _____ (address of Bank) do hereby undertake and agree to indemnify and keep indemnified GMDC to extent of INR _____ (_____ only) (figures in words) against any losses, damage cost, charges and expenses caused to or suffered by or that may be caused or suffered by GMDC by reason of any breach or breaches by the Bidder of any of the terms and conditions contained in the said Bidding Document and unconditionally pay the amount claimed by GMDC on demand and without demur to the extent aforesaid.
- 2** We _____ (Name of Bank) do hereby undertake to pay the amounts due and payable under the guarantee without any demur merely on a demand by you stating that the amount claimed is due by way of loss or damage caused to or would be caused or suffered by you by reason of any breach by the said Bidder of any of the terms or conditions contained in the said Bidding Document by reason of the Bidder’s failure to fulfill the conditions of said Bidding Document. Any such demand on the Bank shall be conclusive as regards the amount due and payable by the Bank under this guarantee. However, our liability under this guarantee shall be restricted to an amount not exceeding INR _____.
- 3** We _____ (Name of Bank) further agree that GMDC shall be the sole judge of and as to whether the Bidder has committed any breach or breaches of terms and conditions of the said Bidding Document and the extent of loss, damages, costs, charges and expenses caused to or suffered by or that may caused to or suffered by GMDC on account hereof to the extent of the Bid Security required to be deposited by the Bidder in respect of the said document and the decision of GMDC that the Bidder has committed such breach or breaches and as to the amount or amounts of loss, damages, costs, charges, and expenses caused to or suffered by or that may be caused to or suffered by GMDC shall be final and binding on us.
- 4** We _____ (Name of Bank) further agree that guarantee herein contained shall remain in full force and effect during the period that would be taken for the performance on the said Bidding Document and that it shall continue to be enforceable till you certify that terms and conditions of the said Bidding Document have been fully and properly carried out by the said Bidder and accordingly discharge the guarantee. Unless a demand or claim under this guaranteed is made on us in writing on or before the (date) _____ we shall be discharged from all liability under this guarantee.
- 5** We _____ (Name of Bank) further agree with you that you have the fullest liberty without our consent and without affecting in any manner our obligations hereunder to vary any of the terms and conditions of the said Bidding Document or to extend time of performance by the said Bidder from time to time or to postpone for any time or from time to time any of the powers exercisable by you against the said Bidder and to forbear or enforce any of the terms and conditions relating to the said Bidding Document and we shall not be relieved from our liability by reason of any such variation or extension being granted to the said Bidder or for any forbearance act or omission on your part or any indulgence by you to the said Bidder or any such matter or thing whatsoever under the law relating to sureties would but for this provision have effect of so relieving us.
- 6** It shall not be necessary for GMDC to proceed against the Bidder before proceeding against the Bank and the Guarantee herein contained shall be enforceable against the Bank, notwithstanding any security which GMDC may have obtained from the Bidder at this time when proceeding are taken against Bank hereunder be outstanding or unrealized.



- 7 We _____ (Name of Bank) further undertake to unconditionally pay the amount claimed by GMDC merely on demand and without demur to the extent aforesaid.
- 8 We, the said Bank lastly undertake not to revoke this guarantee during its currency except with the previous consent of GMDC in writing.
- 9 This Guarantee will not be discharged due to the change in the constitution of the Bank or the said bidder.
- 10 The Bank has under its constitution power to give this guarantee _____ and _____ Mr. _____ who has signed it on behalf of the Bank have authority to do so.

Yours faithfully

For.....

(Name of the Bank)

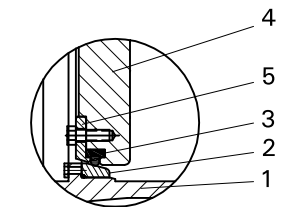
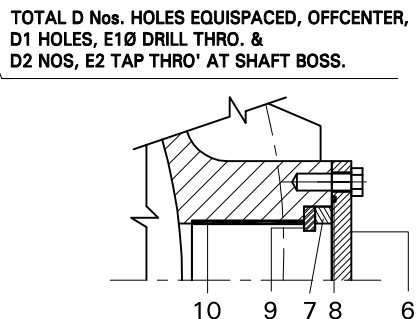
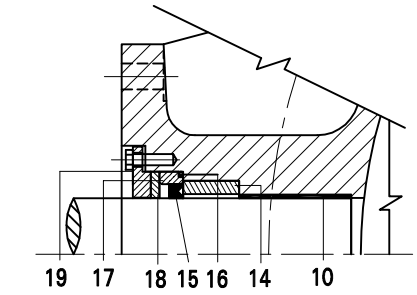
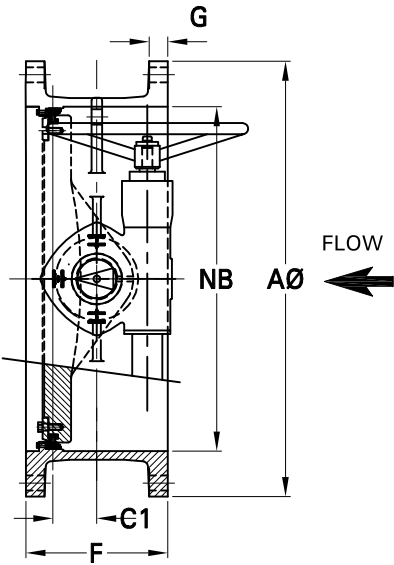
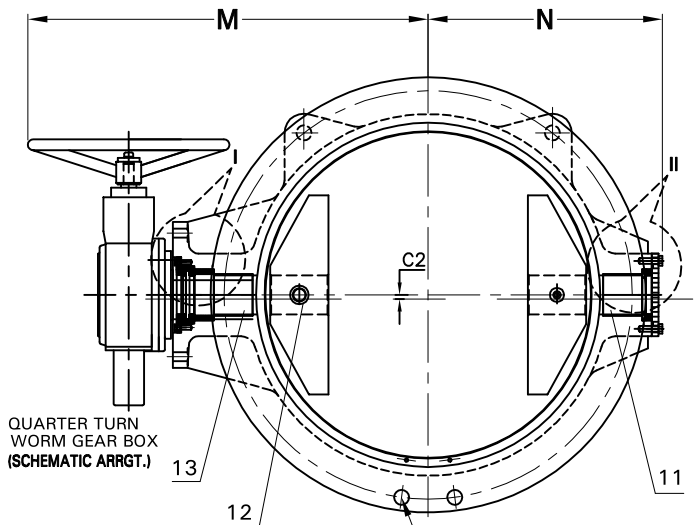
Notwithstanding anything contained hereinabove

- (I) Our liability under this Bank Guarantee shall not exceed **Rs _____/- (Rupees _____ only)**
- (II) This Bank Guarantee is valid up to _____ (Date).
- (III) We are liable to pay the guarantee amount or any part thereof under this bank Guarantee only and only if you serve upon us a written claim or a demand on or before _____ (date).
- (IV) This bank guarantee is operative only when accompanied with SFMS advice from us.

Yours faithfully

For.....

(Name of the Bank)



TOTAL D NOS. HOLES EQUISPACED, OFFCENTER, D1 HOLES, E1Ø DRILL THRO. & D2 NOS, E2 TAP THRO' AT SHAFT BOSS.

DETAIL AT-I
D.E. SHAFT SEALING ARRGT.

DETAIL AT-II
NON DRIVE END ARRGT.

BODY SEAT RING ARRGT.

C1: ECCENTRICITY BETWEEN BODY CENTER LINE & SEAT CENTER LINE.
C2: ECCENTRICITY BETWEEN BODY CENTER LINE & SHAFT CENTER LINE.

NOTE:

- CLOCKWISE ROTATION OF HANDWHEEL WILL CLOSE THE VALVE.
- FLANGES DRILLED TO ANSI B 16.1 CLASS125, FLAT FACE WITH SERRATED.
- ALL DIMENSIONS ARE IN mm UNLESS OTHERWISE SPECIFIED.
- VALVE INSTALLATION- VALVE SHAFT IN HORIZONTAL ORIENTATION.
- WEIGHT MENTIONED IS ONLY INDICATIVE FOR PURPOSE OF TRANSPORTATION / HANDLING.
- PAINTING SPECIFICATIONS:
EXTERNAL- 2 COAT EPOXY ZINC RICH PRIMER-45-50 MICRONS.1 COAT MICACEOUS IRON OXIDE PIGMENT-100 MICRON
1 COAT EPOXY PAINT OF D.A GREY COLOUR IS:5 SHADE NO 632 -50MICRON.TOTAL-250MICRON.
- GA/CS DRAWING IS ONLY FOR INDICATE PURPOSE & NOT TO SCALE.
- DESIGN STD : BS:5155(EN:593)
- MFG STD: IS:BS:5155(EN:593)
- FACE TO FACE DIMENSION SHALL BE AS PER MANUFACTURING STD.
- GEAR BOX MODEL-GS 125.2+VZ4, RATIO-52:1, MAKE-AUMA

Operating Design Parameter-
Operating Pressure- 3.0 Kg/Cm Sq.
Design Pressure-6.0 Kg/Cm. Sq..
Body Hydro test with Water-9.0 Kg/Cm sq., 10min Duration
Seat test with Water-6.0 Kg/Cm sq.

SR. NO.	PART NO.	DESCRIPTION	MATERIAL	NO.
1	104	VALVE BODY	CI IS:210 Gr. FG 260 + 2% Ni (INTERNALLY CORROCOATED,1mm DFT)	1
2	581	BODY SEAT RING	SS ASTM A276 TYPE 316L	1
3	565	DISC SEAL	NITRILE RUBBER	1
4	153	DISC	CI IS:210 Gr. FG 260 + 2% Ni (FULLY CORROCOATED,1mm DFT)	1
5	144	CLAMPING RING SEGMENTED	SS ASTM A351 Gr. CF8M/ SS ASTM A240 TYPE 316	1
6	599	COVER FOR NDE	MS IS:2062 Gr. E250, BR	1
7	618	SPACER	SS ASTM A276 TYPE 316L	1
8	626	'O' RING	NITRILE RUBBER	1
9	582	SPLIT THRUST RING	BRONZE IS:318 GR-LTB2	1
10	197	SLEEVE BEARING BUSH	BRONZE CuSn8P+ PTFE /PB2 Bronze+ PTFE(SELF LUBRICATED)	2
11	670	STUB SHAFT N.D.E.	Dup. SS ASTM A276 TYPE UAN S31803	1
12	393	DOWEL PIN	Dup. SS ASTM A276 TYPE UAN S31803	SET
13	671	DRIVE SHAFT	Dup. SS ASTM A276 TYPE UAN S31803	1
14	618.1	SPACER D.E.	SS ASTM A276 TYPE 316L	1
15	564	'U' CUP SEAL	NITRILE RUBBER	1
16	561	'O' RING	NITRILE RUBBER	1
17	386	'U' SEAL RETAINING BUSH	BRONZE IS:318 Gr. LTB2	1
18	597	'U' SEAL RETAINING WASHER	BRONZE IS:318 Gr. LTB2	1
19	272	ADAPTOR PLATE/DE COVER	MS IS:2062 Gr. E250, BR	1
		VALVE INTERNAL FASTENERS	SS ASTM A276 TYPE 316L	SET
		VALVE EXTERNAL FASTENERS	SS ASTM A193/193M Gr.B8M SS ASTM A194/194M Gr.8M	SET

HYDRO TEST		
TEST	BODY	SEAT
PRESSURE	Mpa (Kg/cm2)	0.9 6.6
DURATION (minute.)	5	2

2	CUSTOMER COMMENT UPDATED	PBT/31/07/2024
1	CUSTOMER COMMENT UPDATED	PBT/29/07/2024
REV NO	DESCRIPTION OF REVISION	SIGN/DATE

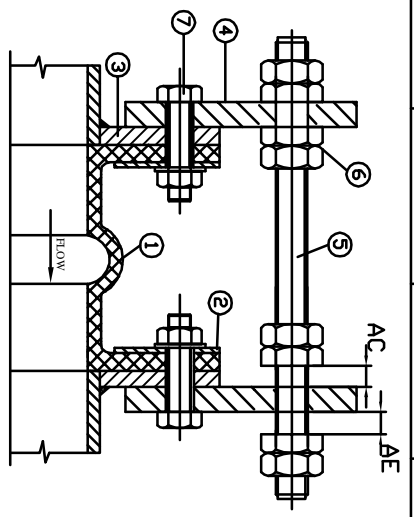
VALVE	GENERAL ARRANGEMENT OF 750NB FLANGED BFV (GEARBOX OPERATED)	
ENQ. NO / DATE	-	QUANTITY -
PO NO / DATE	-	TAG NO. -
QUOTATION NO	-	DATE -
O/A NO.	-	MISI -
CLIENT		
END USER		
PROJECT		
BOP CONTRACTOR		
SERVICE	SEA WATER	

KIRLOSKAR BROTHERS LIMITED
A Kirloskar Group Company

GENERAL ARRANGEMENT & CROSS SECTIONAL DRAWING

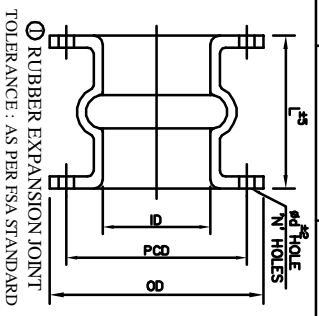
200	750	PN6	09	985	914.4	28	24	04	37	M33X3.5P	312	33 ⁺⁴ ₋₃	940	540	760
MISI. NO.	VALVE SIZE NB	PRESS. RTG.	QTY. NOS.	A DIA	B PCD	D NOS	D1 NOS	D2 NOS	E1 DIA	E2 TAP	F ±3	G	M APPROX	N APPROX	WT(kg) APPROX

ALL DIMENSIONS ARE IN "MM" UNLESS OTHERWISE SPECIFIED

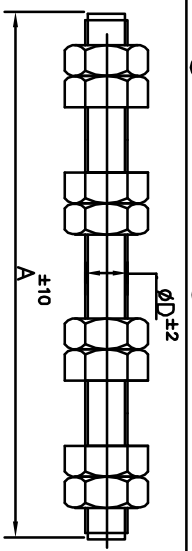


RUBBER EXPANSION JOINT ASSY

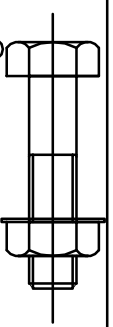
S.No	ID	PCD	OD	Ød	N	L	QTY (NOS)	PRESSURE(K&S(qm))	DESIGN TEST*
1	750	914	984	35	28	350	4	6.0	9.0



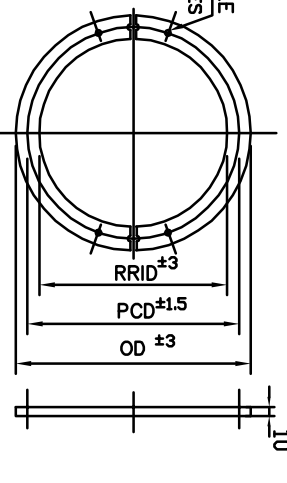
*(Ø)at room temp.



S.No	NB	A	ØD	QTY/REJ
1	750	690	36	4

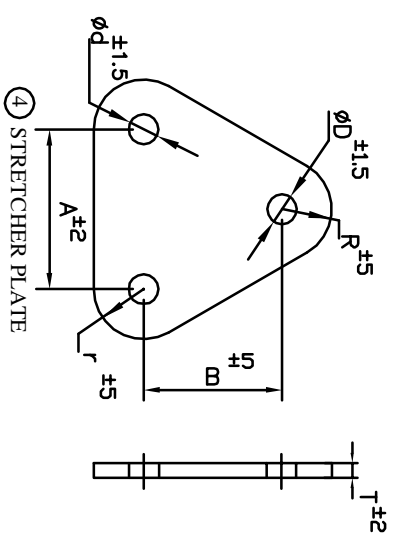


BELLOW NB	ONS. PLATE SIDE SIZE	QTY/REJ	ON C/F FLANGE SIDE SIZE	QTY/REJ
750	M33 X 150 ±5	16	M33 X 110 ±5	40



② RETAINER RING(SPLIT IN 4 QUARTERS)

SNo	NB	RR.ID	PCD	OD	ØD	N
1	750	820	914	984	28	35



④ STRETCHER PLATE

SNo	NB	A	B	ØD	Ød	R	r	T	QTY/REL.
1	750	102	95	39	35	40	35	40	8

MOVEMENT AT DESIGN PRESSURE

AXIAL EXPANSION : 12mm
 AXIAL COMPRESSION : 12mm
 LATERAL DEFLECTION : 12mm

S.No.	DESCRIPTION	QTY/REJ	MATERIAL
7	BOLT, NUT & WASHER(MS)		SS 316
6	NUT & LOCK NUT	SEE	IS 1367 CL.6.0
5	CONTROL ROD	TABLE	IS 1367 CL.6.8
4	STRETCHER PLATE (E-GALV)		IS 2062 Gr.A
3	COMPANION FLANGE (SOPF)	2	NOT IN CORI SCOPE
2	RETAINER RING	2	SS316
1	RUBBER EXPANSION JOINTS	1	RUBBER

REV	DESCRIPTION	DATE	RVN	TSK	CHD	APPD
00	FOR APPROVAL	05.06.2024				

DESIGN DATA:
 MATERIAL : NEOPRENE RUBBER INNER TUBE & OUTER COVER
 FLOWING MEDIUM : COOLING WATER
 TEMPERATURE : MAX. 50° C
 SHORE HARDNESS : 65±5° SH.A
 TEST VACUUM : 700mm of Hg

PROJECTION

SCALE : NTS

SIZE : A4

CLIENT: M/s. GUJARAT MINERAL DEVELOPMENT CORPORATION LTD

PO.NO : 2024400038.0 DT:05.06.2024

ND OF SHEETS : 1 OF 1

DRG. NO.: CEPL/GMDCL/810/01

REV. NO. 00

CORIRUBBER
 CORI ENGINEERS PVT LTD
 CHENNAI - 600 041

GATEWAY

GATEWAY

