

SYMPHONY System Architecture Akrimota TPS, India

Central Control Room Unit 1

Operator Station

Operator Station

Back up Panel

Laser Printer

System Operation

Engineering Room

Engineering Server
Melody/FSC

Confi Server
Maestro

Ink Jet Printer

Operation

Central Control Room Unit 2

Operator Station

Operator Station

Back up Panel

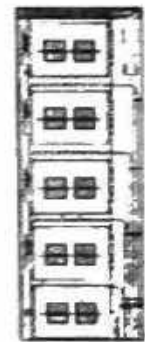
Laser Printer

Onet (SO) (red.)

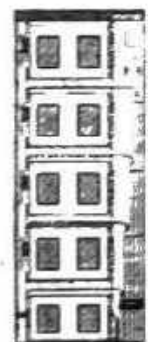
Cnet (O) (red.)

Control

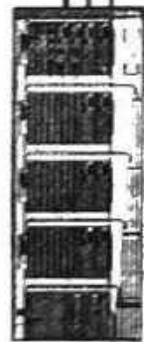
Cnet (C) (red.)



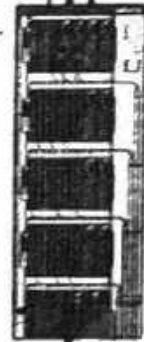
Interposing
Relay
Cubicle
1CCA01



Marshalling
Rack
1CVA01
2 Cubicles



1CBB01

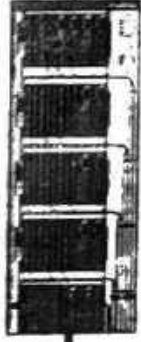


1CBB02



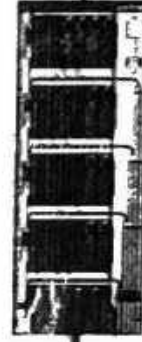
DCS Melody

Fnet red



1CAB01

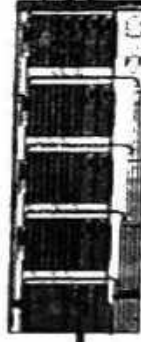
BMS FSC



2CAB01

BMS FSC

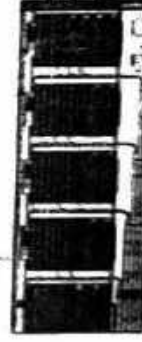
Fnet red



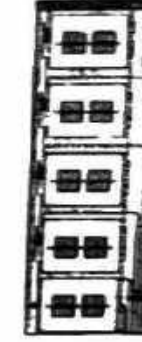
2CBB02



DCS Melody



2CBB01



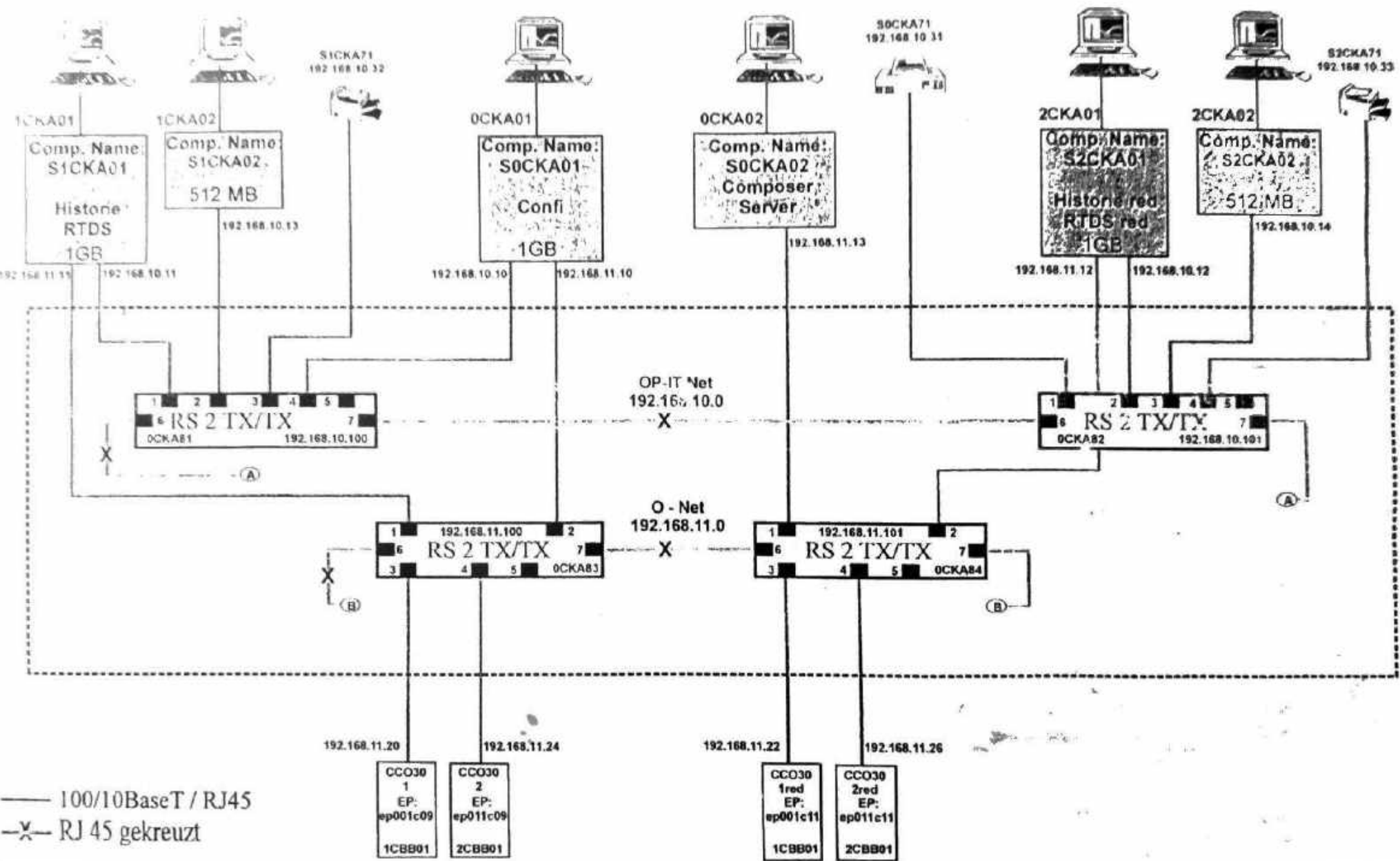
Interposing
Relay
Cubicle
2CCA01



Marshalling
Rack
2CVA01
2 Cubicles

Unit 1

Unit 2



— 100/10BaseT / RJ45
 -X- RJ 45 gekreuzt

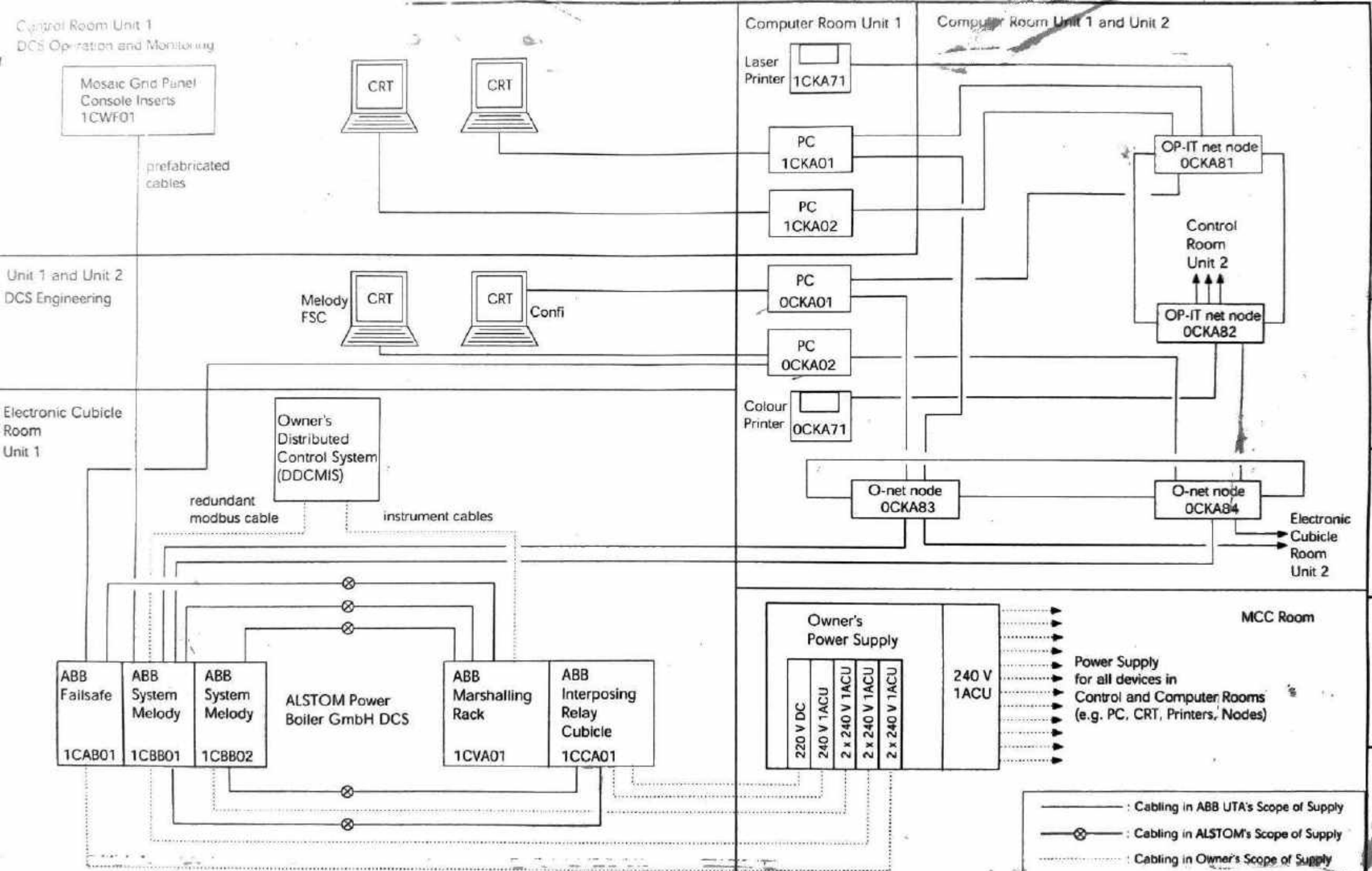
Date	05.11.01
Drawn	Finke
Check	
Appr.	
Revision	
Date	
By	
First	

Customer/Project:
 Akrimota TPS, India

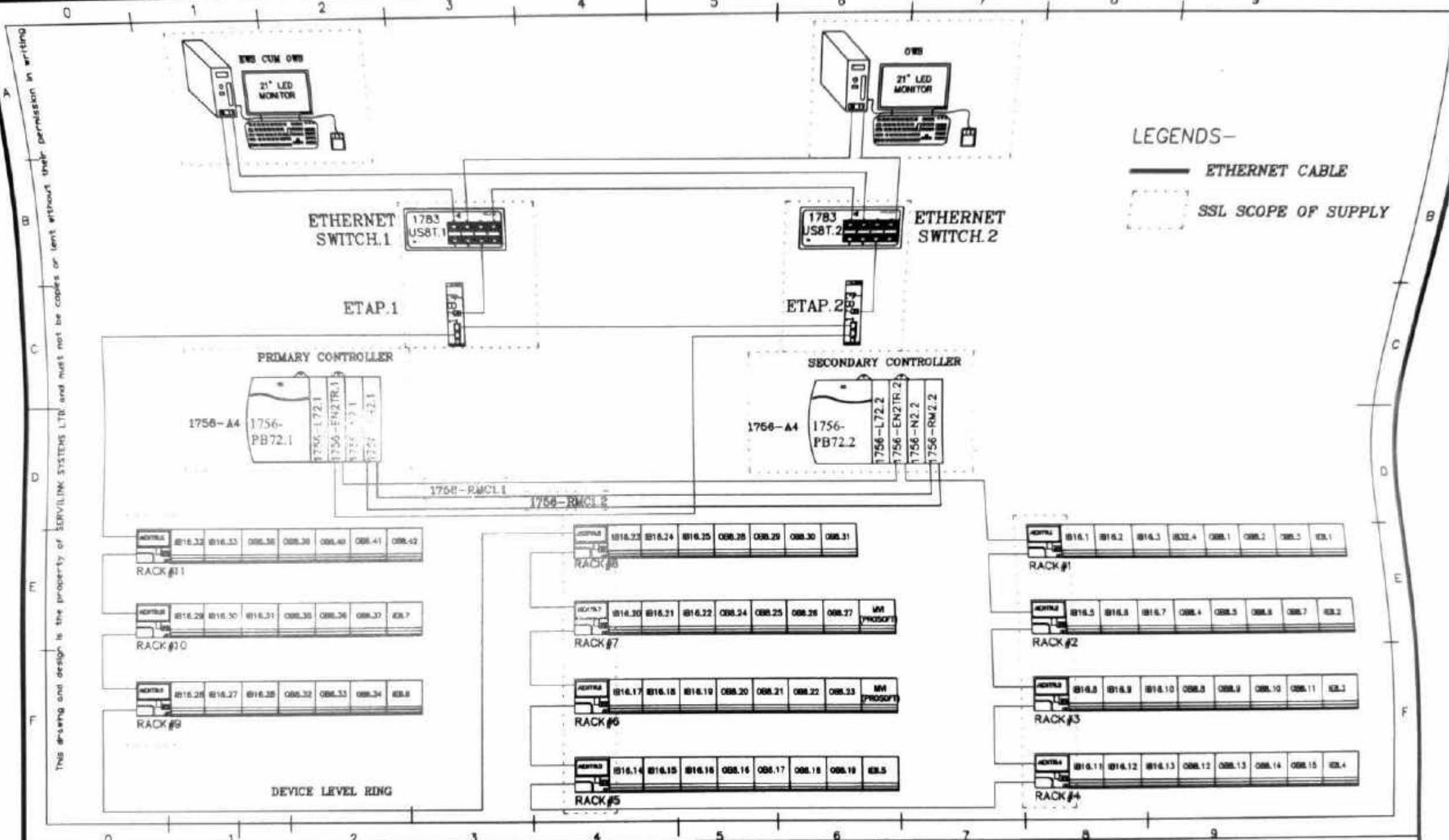


Title
 Symphony / Operate IT
 Devices Connection Diagram

Process Control and Instrumentation
 Dept.: ABB-UTA/EE81 Finke
 Project No.:
 Drwg.No.:
 Item:
 ABB No.: 0004212740
 Akrimotant.cdr



3				Date	19-03-02	Project: AKRIMOTA TPS, 2x125 MW CFB Boiler	ALSTOM ALSTOM Power Boiler GmbH	Cabling Distributed Control System Overview Unit 1	=	+	Sh. 1 of 1
2			Prepared	Kratzmeier							
1			Checked	Behring							
Index	Revision	Date	Name	Approved							
	1		2		3	Contract No.: 1.4774Q/13	Substituted by:		Drwg.No.: 1.47740/00 026-0012		




LEGENDS—
 ——— ETHERNET CABLE
 - - - - - SSL SCOPE OF SUPPLY

CLIENT : GUJARAT MINERAL DEVELOPMENT CORPORATION LIMITED
 PROJECT : PLC TO CLX MIGRATION FOR AKRIMOTA TPS
 P.O. NO. : GMDC/HO/E.C&I/ATPS-AHP/5404/17-18 DATE: 04.01.18

TITLE : SYSTEM CONFIGURATION
 TYPE : DCS SYSTEM

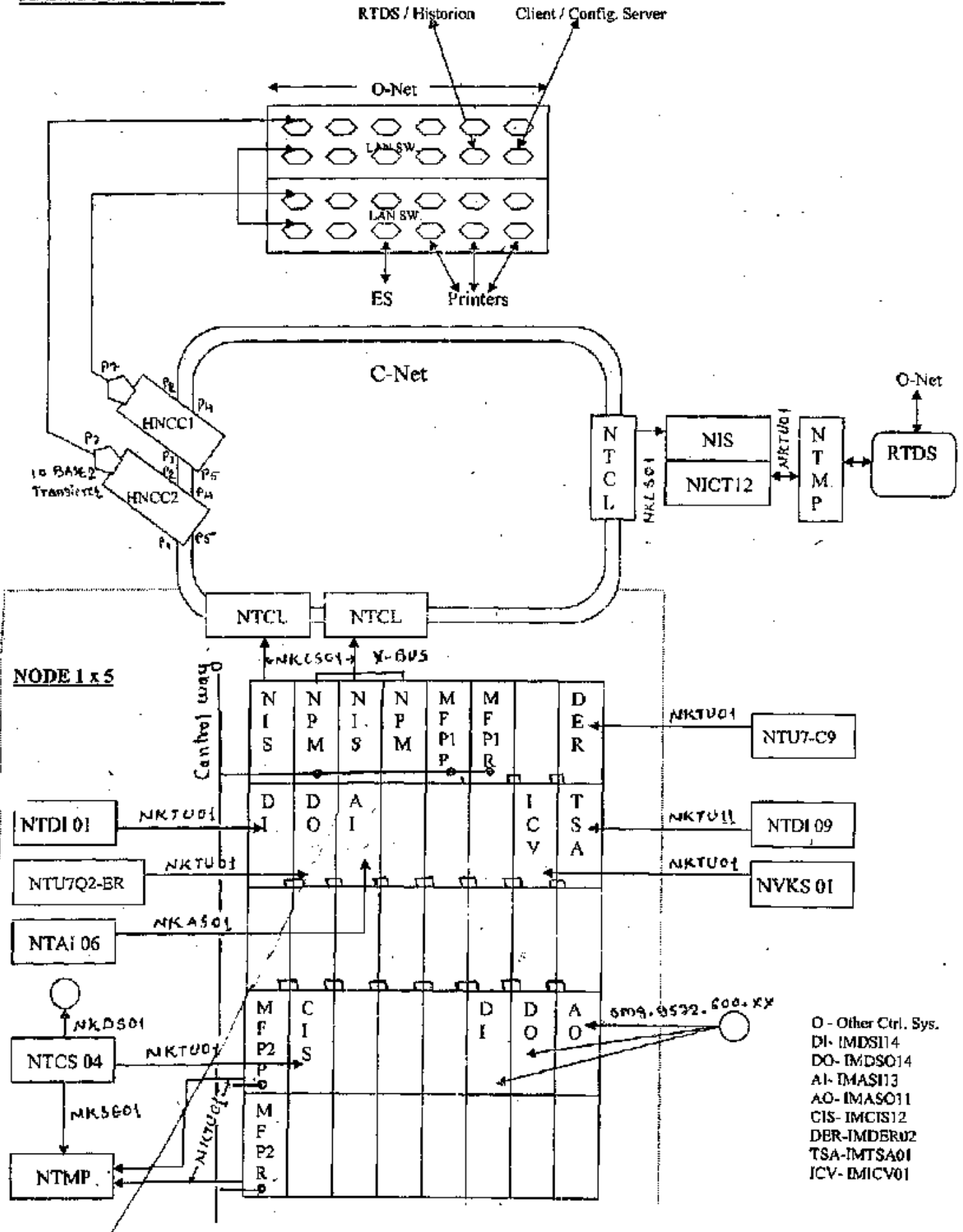
DRAWN BY : VSM
 CHECKED BY : JHS
 APPROVED :
 DATE: 10.01.18 REV 00

OUR REF : SSO :1208-02 DWG NO.: 01 OF 01

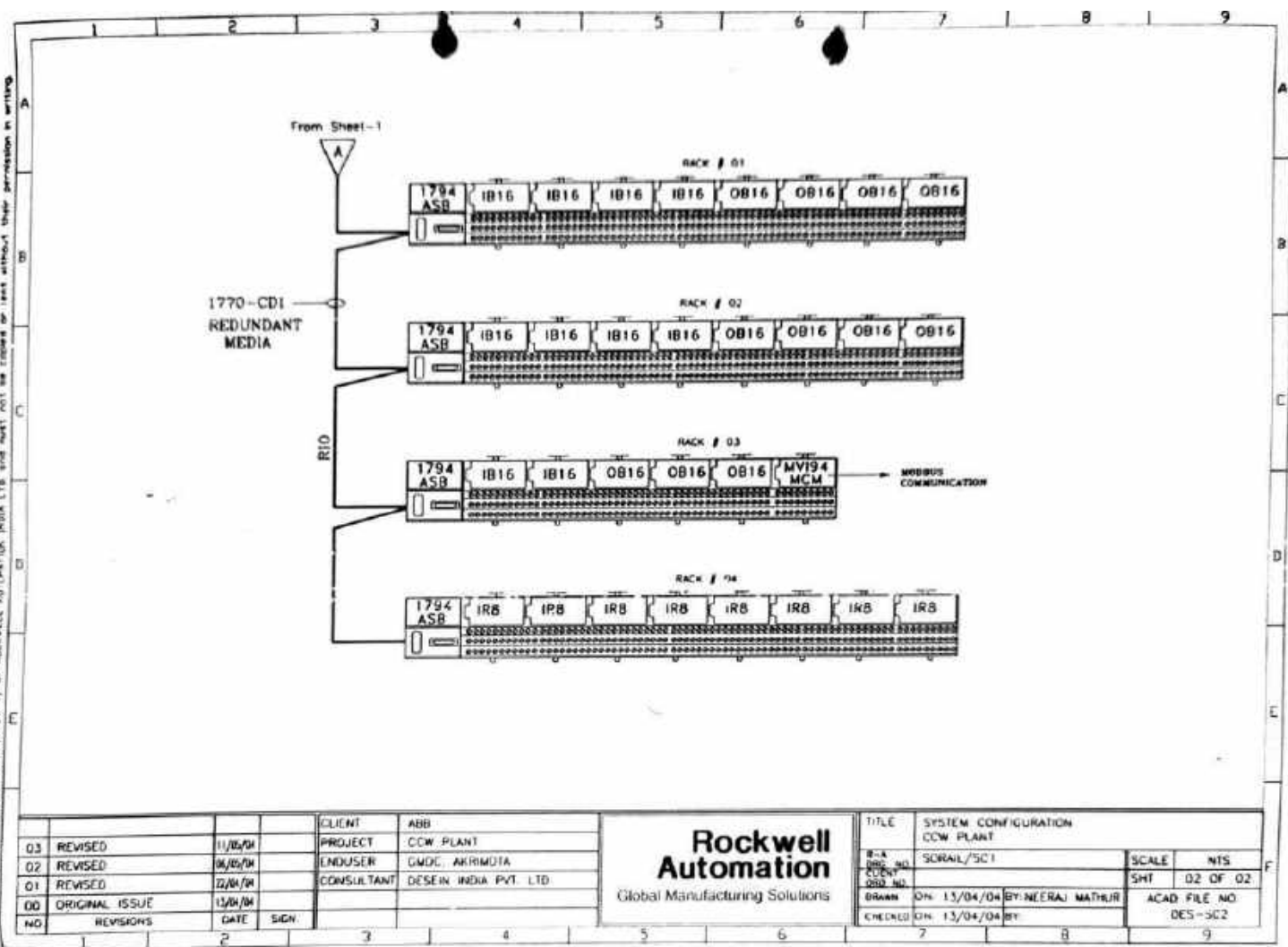
 **SERVILINK SYSTEMS LIMITED.**
 Por-Ramangamdi, Vadodara - 391 243.

This drawing and design is the property of SERVILINK SYSTEMS LTD. and must not be copied or lent without their permission in writing.

Ansaldo DCS System



This drawing and design is the property of ROCKWELL AUTOMATION INDIA LTD and must not be copied or used without their permission in writing.

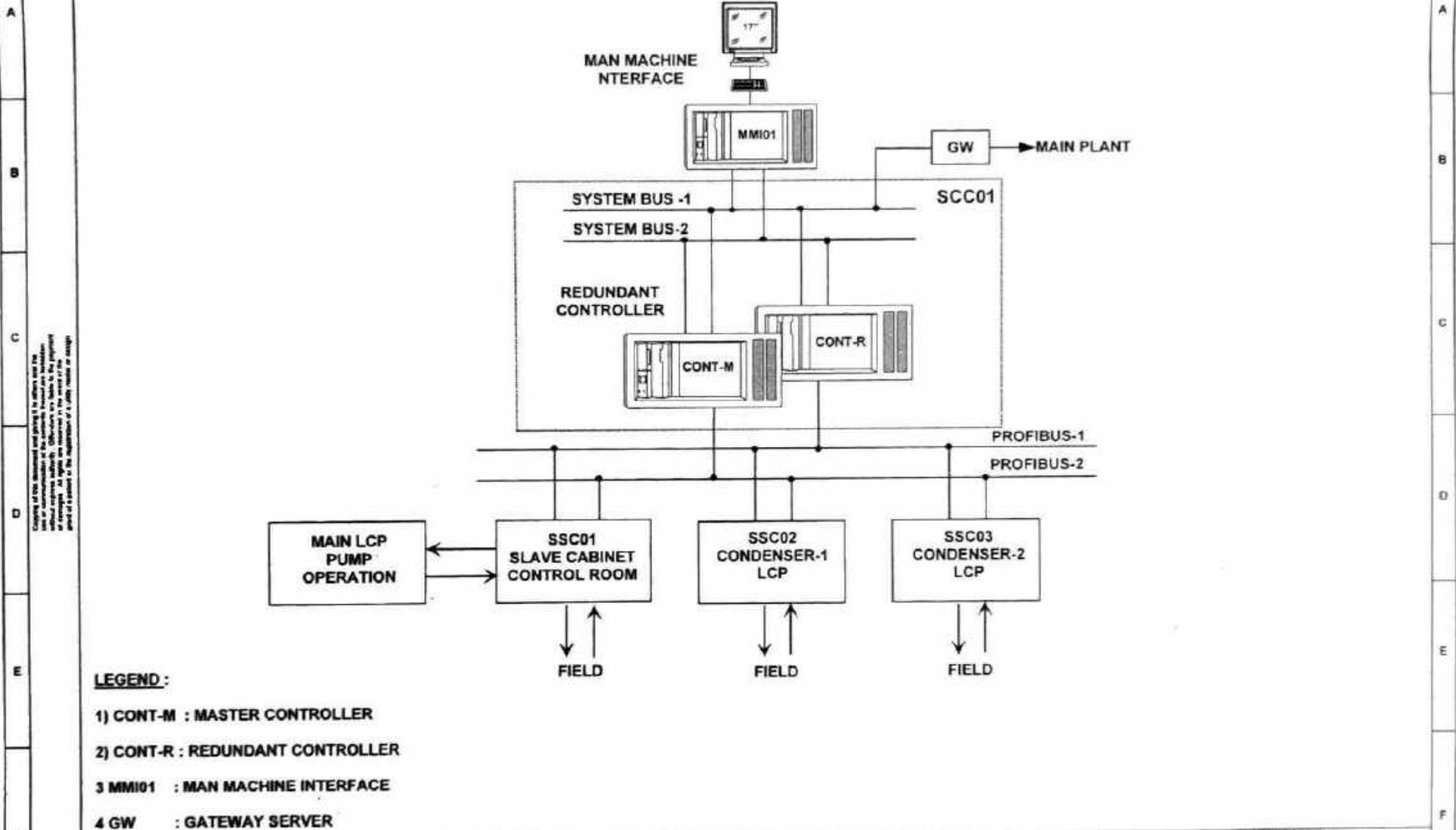


03	REVISED	11/04/04	CLIENT	ABB
02	REVISED	06/05/04	PROJECT	CCW PLANT
01	REVISED	02/04/04	ENDUSER	GMDC, AKRIMOTA
00	ORIGINAL ISSUE	13/04/04	CONSULTANT	DESEIN INDIA PVT. LTD.
NO	REVISIONS	DATE	SIGN.	

Rockwell Automation
Global Manufacturing Solutions

TITLE		SYSTEM CONFIGURATION	
CCW PLANT		SCRAL/501	
R-A	NO	SCALE	NTS
DOC	NO	SHT	02 OF 02
DRAWN	ON: 13/04/04	BY: NEERAJ MATRUR	ACAD FILE NO
CHECKED	ON: 13/04/04	BY:	DES-302

1 2 3 4 5 6 7 8

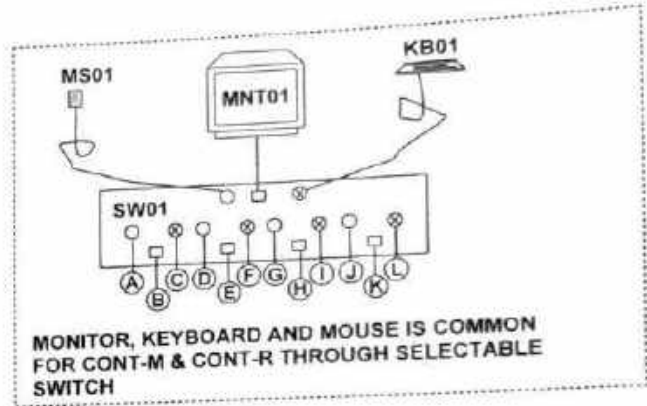
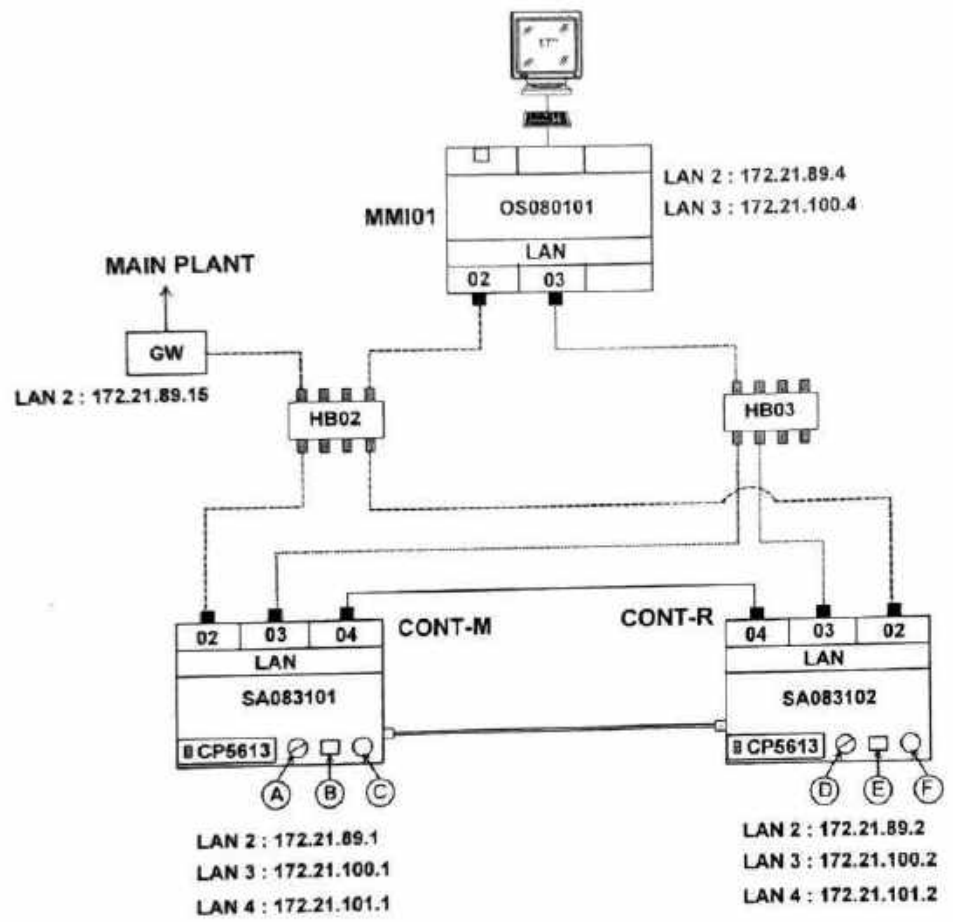


Copying of this document and giving it to others without the
 consent of the author is prohibited. The author shall not be
 held responsible for any damage or loss of data or equipment
 or any other consequences arising from the use of the
 information contained in this document. All rights are reserved in the event of the
 present of a patent or the registration of a utility model or design.

LEGEND :

- 1) CONT-M : MASTER CONTROLLER
- 2) CONT-R : REDUNDANT CONTROLLER
- 3) MMI01 : MAN MACHINE INTERFACE
- 4) GW : GATEWAY SERVER

		Date		16.10.03		CLIENT : KIRLOSKAR BROTHERS LTD.		SIEMENS		SYSTEM CONFIGURATION		File Ref. : Sys_Conf.DS4		Sales Ref. : 30196599	
		Prep.		HAR		PROJECT : CW PUMPS , GMDC AKRIMOTA		GURGAON						Sh 1	
Z1		AS BUILT		20.06.05		HAR		Chkd.		HAR		Drg No : (4 JG31600-56724 - V 2 Z1		OF	
Rev.		Alteration		Date		Name		Appr.		DU				Sh 2	
1		2		3		4		5		6		7		8	



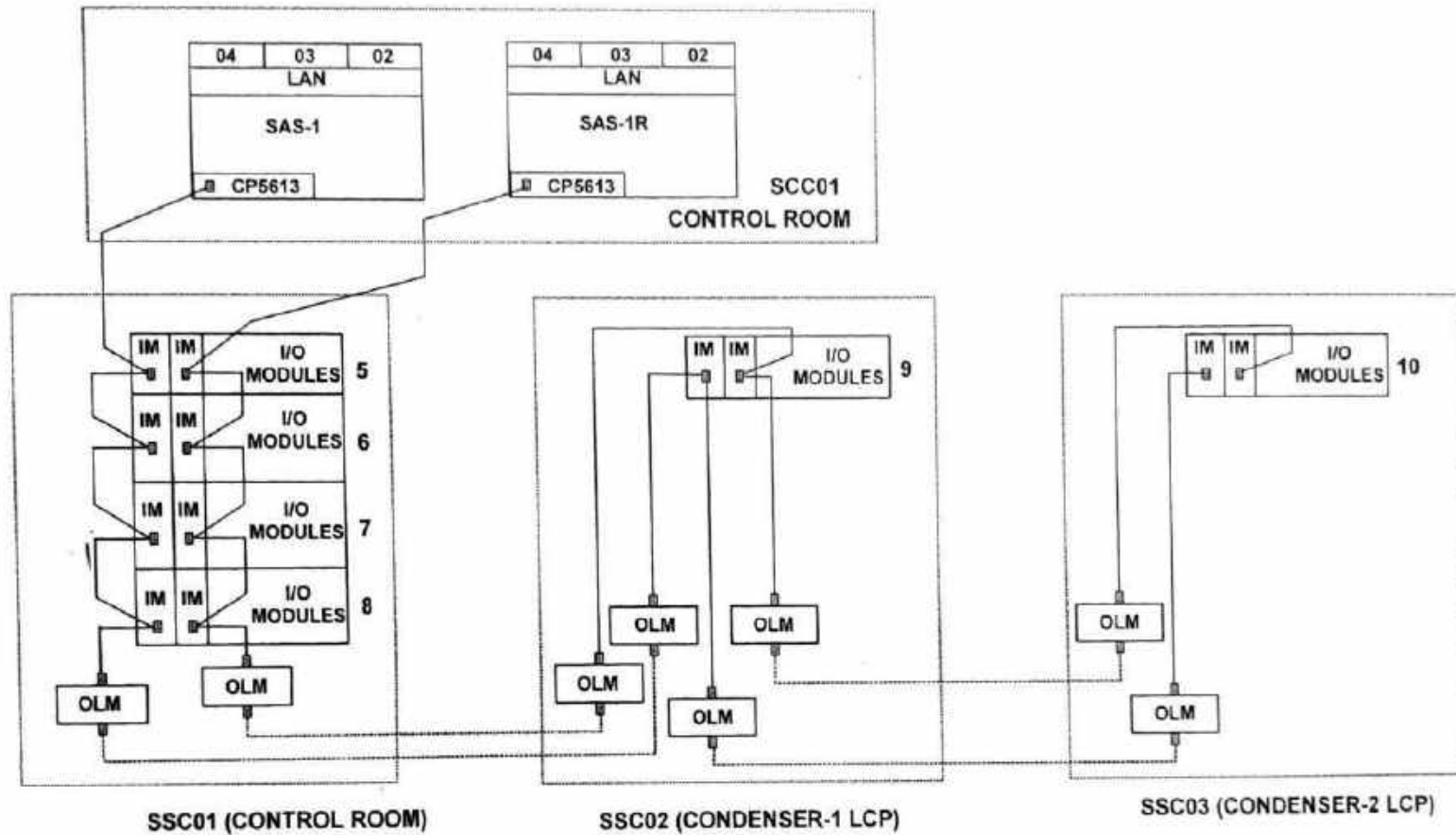
- HB : 8 PORT HUB (2 Nos..)
- CONT : CONTROLLERS(2 Nos.)
- MMI : MANMACHINE INTERFACE(1 No.)
- MNT : MONITOR(17" - 1 No. + 14" - 1 No.)
- KB : KEYBOARD(2 No.)
- LAN : LAN CARD(As per configuration)
- LNC : LAN CABLE(As per configuration)
- SW : SELECTOR SWITCH(1 No.)
- : LAN2
- : LAN3
- : LAN4
- : RJ 45 CONNECTOR
- : SERIAL PORTS

Copying of this document and giving it to others and the use or reproduction of its contents without the written permission of the copyright owner is prohibited. All rights are reserved to the extent of the copyright in this document. The reproduction of a copy is hereby prohibited.

Date		10.10.03		CLIENT : KIRLOSKAR BROTHERS LTD.		SIEMENS		COMPONENT LEVEL		File Ref. : Sys_Conf.DS4		Sales Ref. : 30196599	
Prep.		HAR		PROJECT : CW PUMPS , GMDC AKRIMOTA		GURGAON		CONFIGURATION		Sh 2		Sh 2	
Z1 AS BUILT		20.06.05		HAR		HAR				Sh 2		DF	
Rev.		Alteration		Date		Name		Appr.		DU		Sh 3	
1		2		3		4		5		6		7	
1		2		3		4		5		6		7	

Drg No :- (4) G71600 - S6734 - V 2 Z1

PROFIBUS CONFIGURATION



NOTE:-

OPTICAL FIBRE PROFIBUS CABLE
 COPPER PROFIBUS CABLE

LEGEND :

IM INTERFACED MODULE
 OLM OPTICAL LINK MODULE

Copying of this document and giving it to others, and the use or transmission of the contents thereof, are prohibited without express permission of the copyright owner. All rights are reserved in the event of the copyright is granted in the registration of a utility model or design.

Rev.	Alteration	Date	Name	Appr.	DU
Z1	AS BUILT	20.06.06	HAR	Chkd.	HAR
				Prep.	HAR

Date 10.10.03
 CLIENT : KIRLOSKAR BROTHERS LTD.
 PROJECT : CW PUMPS , GMDC AKRIMOTA

SIEMENS
 GURGAON

PROFIBUS CONFIGURATION

File Ref : Sys_Conf.DS4	Sales Ref : 30196599
Drwg No :- (4 JG71600-S6724-V 2 Z1	Sh 3
	DF
	Sh 3

REMOTE I/O CABINET LOCATION : CWP CONTROL ROOM

REMOTE I/O CABINET No :SSC01

SLAVE No : 5

FA RACK

SLAVE No : 6

FB RACK

SLAVE No : 7

FC RACK

SLAVE No : 8

FD RACK

		004	005	006	007	008	009	010	011
IM	IM	DI FRC01 UNIT#1 CWP-1	DI FRC02 UNIT#1 CWP-1	DI FRB01 UNIT#2 CWP-1	DI FRB02 UNIT#2 CWP-1	DO FRD01/2 UNIT#1 CWP-1	DO FRA01/2 UNIT#2 CWP-1		
IM	IM	DI FRC03 UNIT#1 CWP-2	DI FRC04 UNIT#1 CWP-2	DI FRB03 UNIT#2 CWP-2	DI FRB04 UNIT#2 CWP-2	DO FRD03/4 UNIT#1 CWP-2	DO FRA03/4 UNIT#2 CWP-2		
IM	IM	AI FRB07	DI FRC07	DI FRC08	DI REDUN DANT	DI FRB06	DO FRD07 FRD08	DO FRA05 FRA06	DO REDUN DANT
IM	IM	DI FRC05 STANDBY CWP	DI FRC06 STANDBY CWP	DO FRD05/6 STANDBY CWP	DI REDUN DANT	DO FRA07 FRA08			

AI - ANALOG INPUT MODULE
DI - DIGITAL INPUT MODULE
DO- DIGITAL OUTPUT MODULE

FRA/FRB/FRC/FRD - FIM NUMBER

Date: 30.07.04		CLIENT : KIRLOSKARBROTHERS LIMITED		SIEMENS		MODULE & FIM		File Ref. :- MOD.D54		Sales Ref. :- PG-A/30196599	
Prep: HAR		PROJECT : CW PUMPS , GMDC AKRIMOTA		GURGAON OFFICE		LOCATION		Dwg. No :		Sh. 1	
Chkd: HAR										Sh. 2	
Appr: DU										(4) G71900 - 58724-Z 10 Z1	

Check all the drawings and details to be drawn and the
 use of instruments of the...
 official records...
 and all the...

REMOTE I/O CABINET LOCATION : NEAR CONDENSER-1

REMOTE I/O CABINET No :SSC02

SLAVE No : 9

FA RACK

		004	005	006	007	008	009	010	011
IM	IM	AI FRA03	DI FRA01	DI FRA02	DO FRB01 FRB02	DO FRB03 FRB04			

REMOTE I/O CABINET LOCATION :NEAR CONDENSER-2

REMOTE I/O CABINET No :SSC02

SLAVE No : 10

FA RACK

		004	005	006	007	008	009	010	011
IM	IM	AI FRA03	DI FRA01	DI FRA02	DO FRB01 FRB02	DO FRB03 FRB04			

AI - ANALOG INPUT MODULE
DI - DIGITAL INPUT MODULE
DO- DIGITAL OUTPUT MODULE

FRA/FRB/FRC/FRD - FIM NUMBER

Copyright of this document and other IT related documents
 shall be maintained in the strictest confidence and shall be the property
 of Siemens. All rights reserved. Distribution and sale to the general
 public is a violation of the regulations of a 100% owned Indian company.

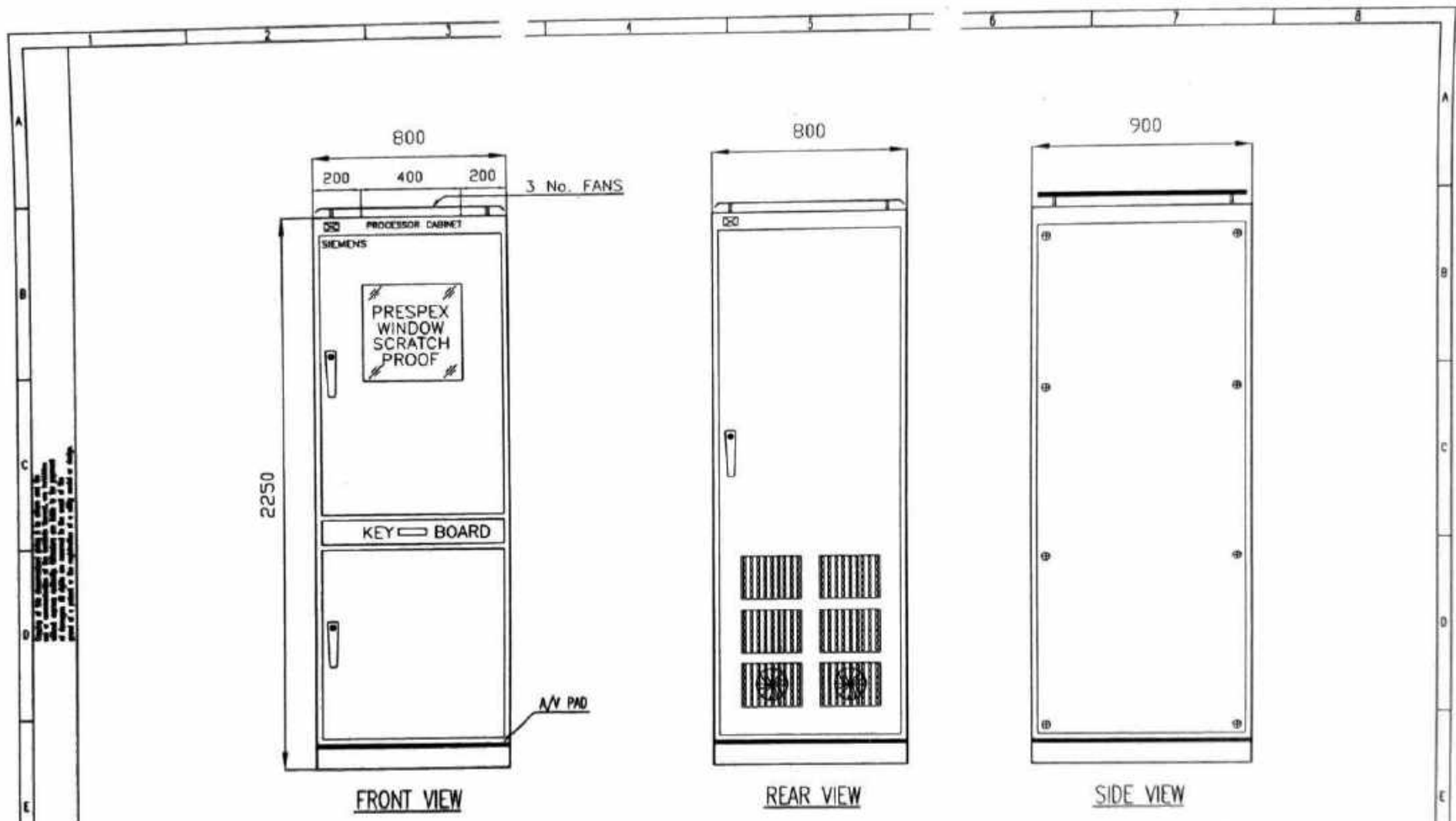
Rev.	Alteration	Date	Name	Appr.	DU
Z1	AS BUILT	20.06.05	HAR	Chkd.	HAR
				Prep.	HAR
				Date	30.07.04

CLIENT : KIRLOSKARBROTHERS LIMITED
PROJECT : CW PUMPS , GMDC AKRIMOTA

SIEMENS
GURGAON OFFICE

**MODULE & FIM
LOCATION**

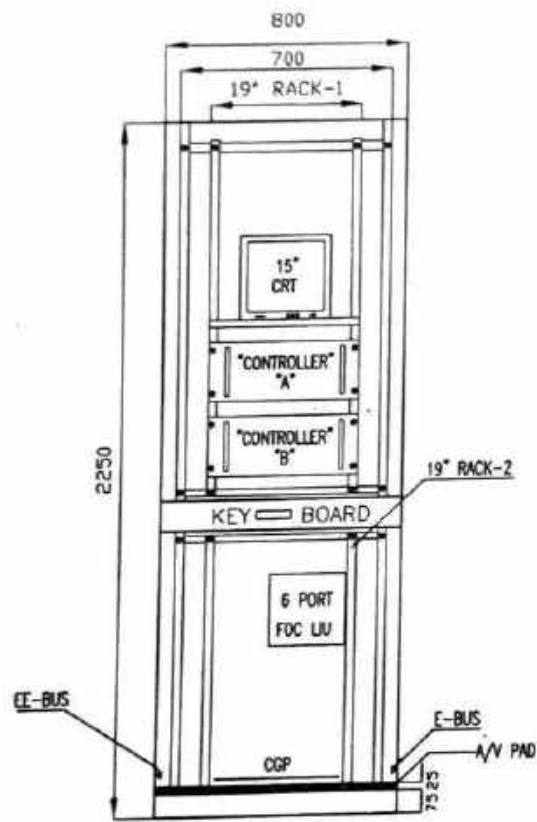
File Ref. :- WOD.D84	Sales Ref. :- PG-A00196559
Orig. No :	(4) 071900 - 58724-2 10 Z1
	Sh. 2 OF Bk 1



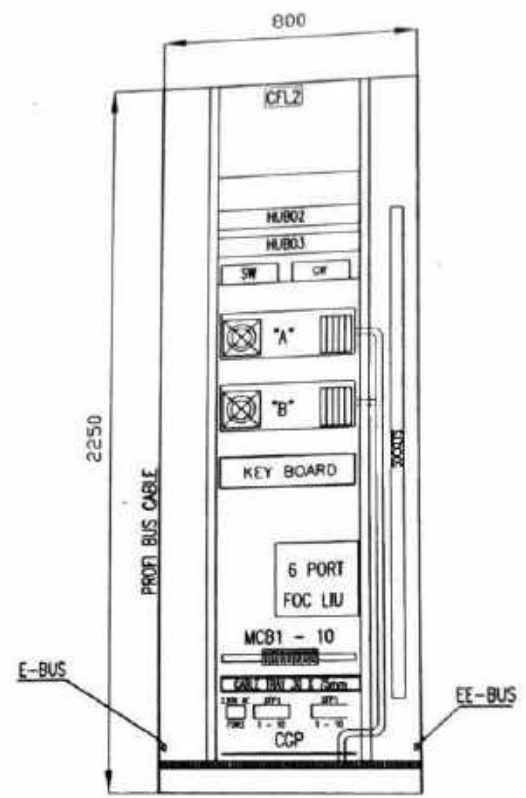
- NOTE:-
- 1) ALL DIMENSIONS ARE IN mm.
 - 2) DRAWING IS NOT TO THE SCALE.
 - 3) SHEET THICKNESS - 2 MM
 - 4) GLANDPLATE THICKNESS - .3MM
 - 5) COLOUR - RAL7035

020 CABINET FAULT LAMP

				Date	07.11.03	Client:- KIRLOSKAR BROTHERS LIMITED Project:- CW PUMPS, GMDC AKRIMOTA	SIEMENS GURGAON	GENERAL ARRANGEMENT PROCESSOR CABINET	File Ref. : PROC_CAB	Sales Ref. :- PG-A/20190599	Shit. 1
Z1	AS BUILT	20.06.05	HWR	Chkd.	HWR				Drng. No. (4)-G71800-58725-A 5 Z1	OF	5/11. 8
Rev.	Alteration.	Date	Name	Appr.	DU						



FRONT VIEW
(WITHOUT DOOR)

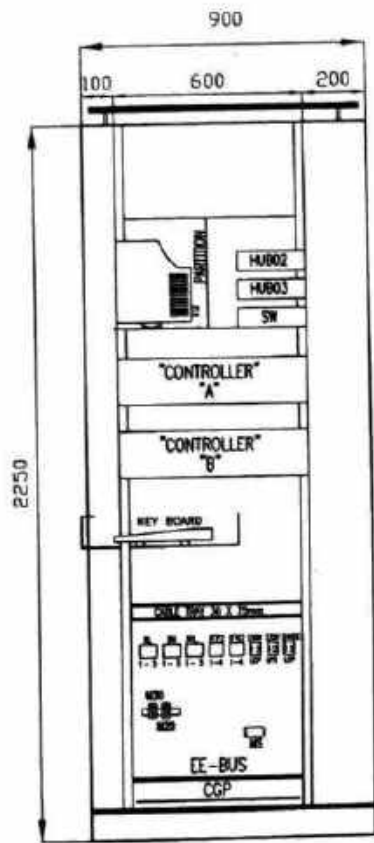


REAR VIEW
(WITHOUT DOOR)

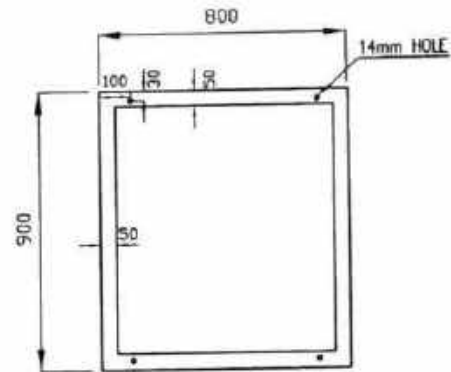
- LEGEND:-
- 1) CRT - MONITOR
 - 2) SW - SELECTOR SWITCH
 - 3) CGP - CABLE GLAND PLATE
 - 4) EE-BUS - ELECTRONIC BUS
 - 5) E-BUS - PANEL EARTH
 - 6) CFL - ILLUMINATION LAMP
 - 7) GW - GATEWAY SERVER

NOTE:-
1) ALL DIMENSIONS ARE IN mm.
2) DRAWING IS NOT TO THE SCALE.

		Date	07.11.03	Client:-	KIRLOSKAR BROTHERS LIMITED	SIEMENS	GENERAL ARRANGEMENT PROCESSOR CABINET	File Ref. :	PROC_CAB	Sales Ref. :-	PC-A/30196599
		Prep.	HAR	Project:-	CW PUMPS, GMDC AKRIMOTA	GURGAON					
21	AS BUILT	Date	20.06.05	Chkd.	HAR			Drw. No. (4)-G71600-S6725-A 5 Z1			OF
Rev.	Alteration.	Date		Name							SHT. 6



LH-SIDE VIEW
(WITHOUT COVER)

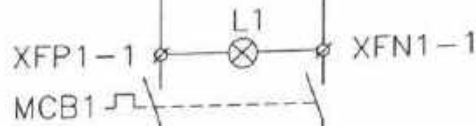


BASE FRAME DETAIL

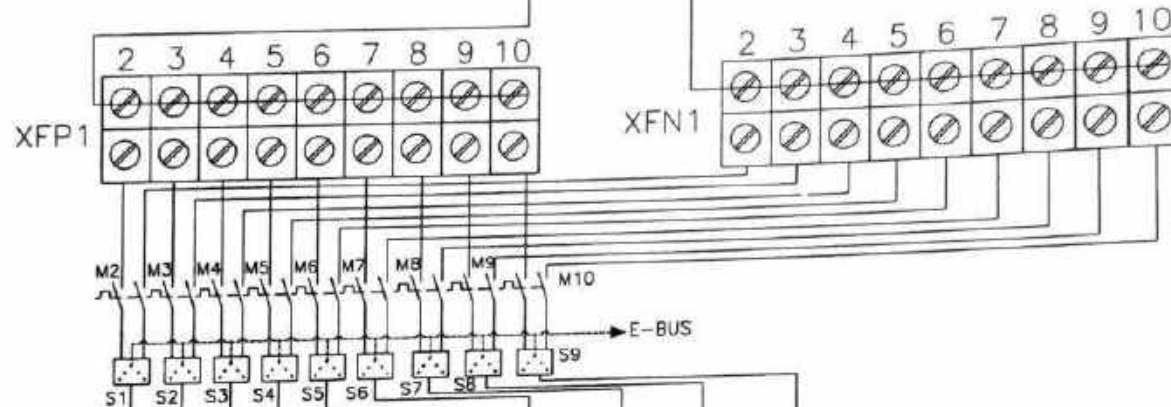
NOTE:-
1) ALL DIMENSIONS ARE IN mm.
2) DRAWING IS NOT TO THE SCALE.

Z1	AS BUILT	20.06.05	HAR	Chkd.	HAR	Client:- KIRLOSKAR BROTHERS LIMITED Project:- CW PUMPS, GMDC AKRIMOTA	SIEMENS GURGAON	GENERAL ARRANGEMENT PROCESSOR CABINET	File Ref. : PROC_CAR	Scale Ref. :- PG-A/20196599	SHF. 3
	Rev.	Alteration.	Date	Name	Appr.				OU	Drwg. No. (4)-G71800-58725-A 5 Z1	OF

FROM MAIN LCP
230 V AC, 1 Ph, 50Hz, AC



ITEM	DESCRIPTION	TYPE	MAKE	RATING
MCB1 WITH ZAUX CONTACTS	MCB	2 POLE	PROTEC	16A
MCB2-7	MCB	2 POLE	PROTEC	AS PER DWG.
L1	LAMP	---	SIEMENS	230VAC /16A



MCB NO.(M)	2	3	4	5	6	7	8	9	10
FDR NAME	CONT-A	CONT-B	GATEWAY SERVER	MONITOR	HUB02	HUB03	SPARE	SPARE	SPARE
MCB (AMP)	4	4	4	2	1	1	4	4	2
MCB TYPE	DOUBLE POLE (230V AC)								
MCB MAKE	SCHNIDER-PROTEC								
FDR CROSS-SECTION(sq.mm)	2.5	2.5	2.5	2.5	2.5	2.5	2.5	2.5	2.5
TB MAKE	PHOENIX								

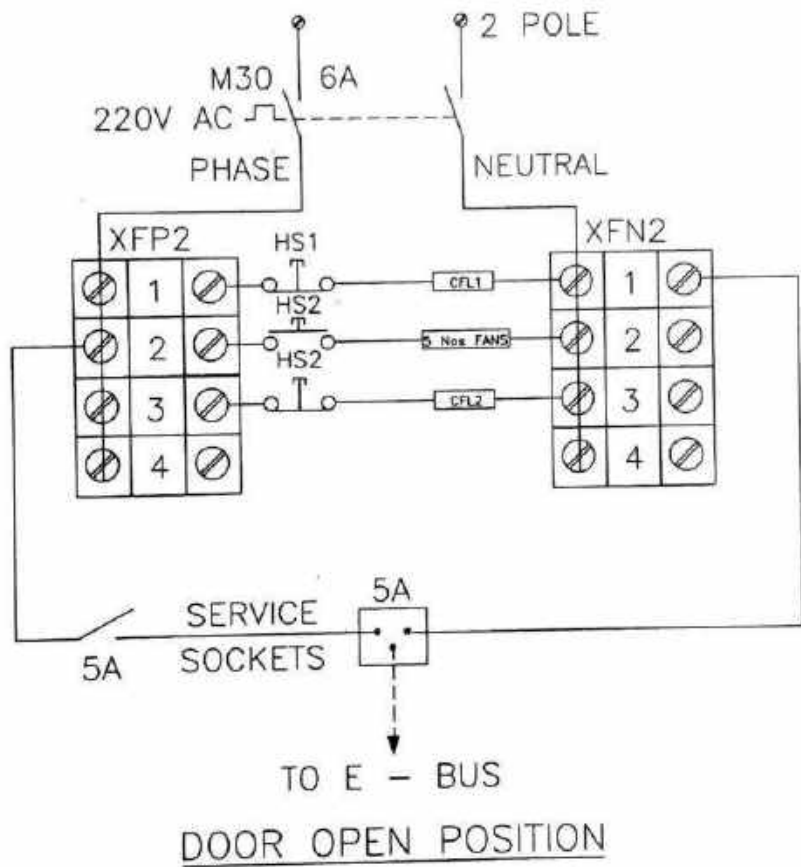
NOTE:-

- 1) TERMINAL BLOCKS OF SIZE SUITABLE TO ACCOMMODATE 2.5mm² CABLES SHALL BE PROVIDED.
- 2) ALL THE MCB's ARE DOUBLE POLE MCB's AND THEY SHALL HAVE ELECTRO-MAGNETIC TRIPPING IN ADDITION TO THERMAL O/L TRIPPING.
- 3) MAIN MCB1 TERMINALS SHOULD BE SUITABLE FOR 4mm² CABLE FROM UPS.
- 4) S1 - S9 ARE THE 5 PIN SOCKETS OF 230 VAC/5 A.

Date 07.11.03		Client:- KIRLOSKAR BROTHERS LIMITED		SIEMENS		GENERAL ARRANGEMENT		File Ref. : PROC_CAB		Sales Ref. :- PG-A/30198599	
Prep. HAR		Project:- CW PUMPS, GMDC AKRIMOTA		GURGAON		PROCESSOR CABINET		Shft. 4		OF	
Z1 AS BUILT		Date 20.06.05		HAR		Date		Home		Appr. DU	
Rev.		Alteration		Date		Home		Appr.		DU	



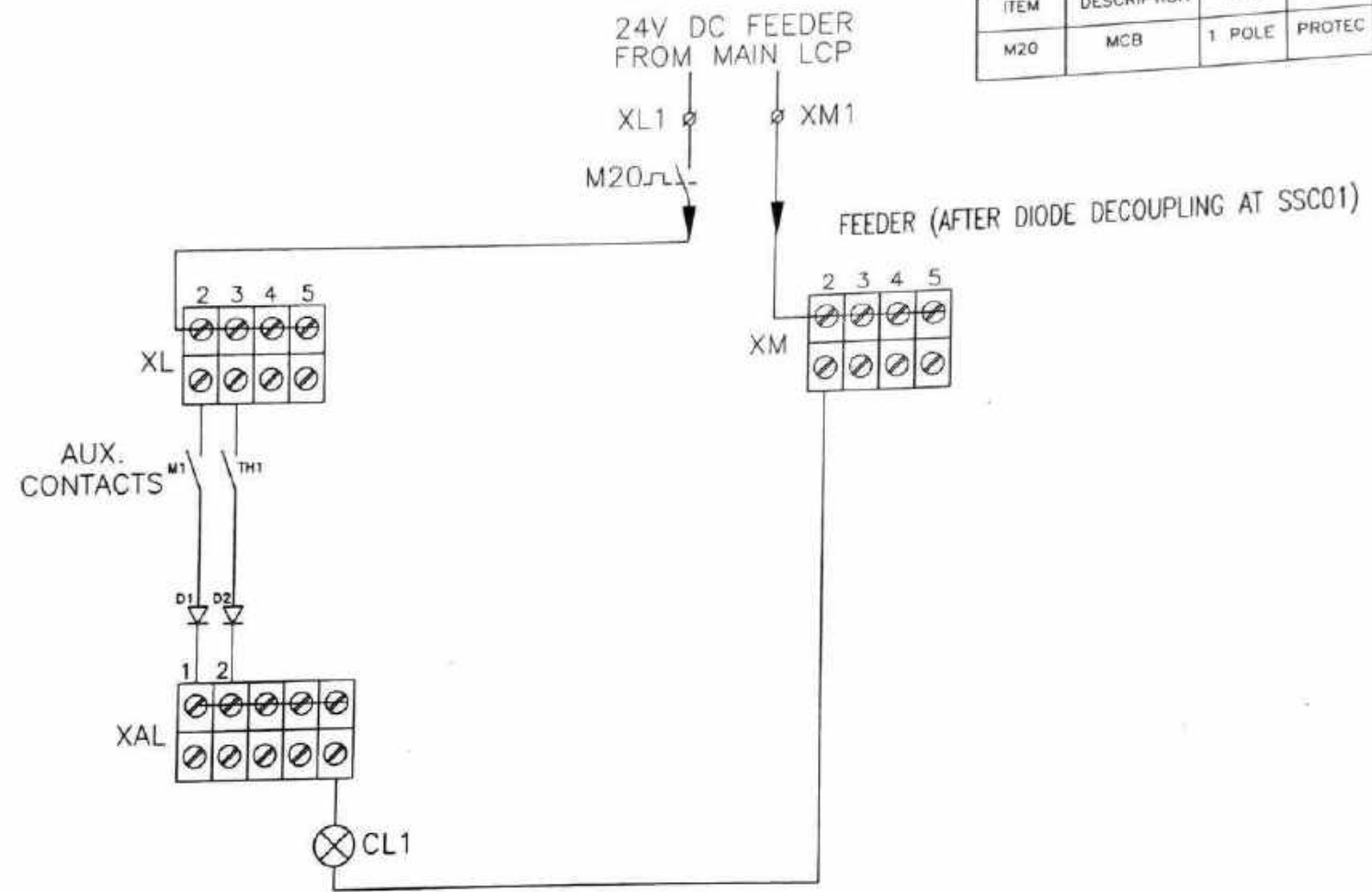
230V AC UNREGULATED SUPPLY FOR
FANS & CFLs



LEGEND:-
HS1 & HS2 - FRONT & REAR DOOR LIMIT SWITCH

Date 07.11.03		Client:- KIRLOSKAR BROTHERS LIMITED		SIEMENS		GENERAL ARRANGEMENT		File Ref. : PROC_CAB		Sales Ref. :- PG-A/30196589	
Prep. HNR		Project:- CW PUMPS, GMDC AKRIMOTA		GURGAON		PROCESSOR CABINET		Drp. No. (4)-G71600-SB725-A 5 Z1		SHT. 5	
20.06.05 HNR										OF	
Date Name Appr. OU										SHT. 6	

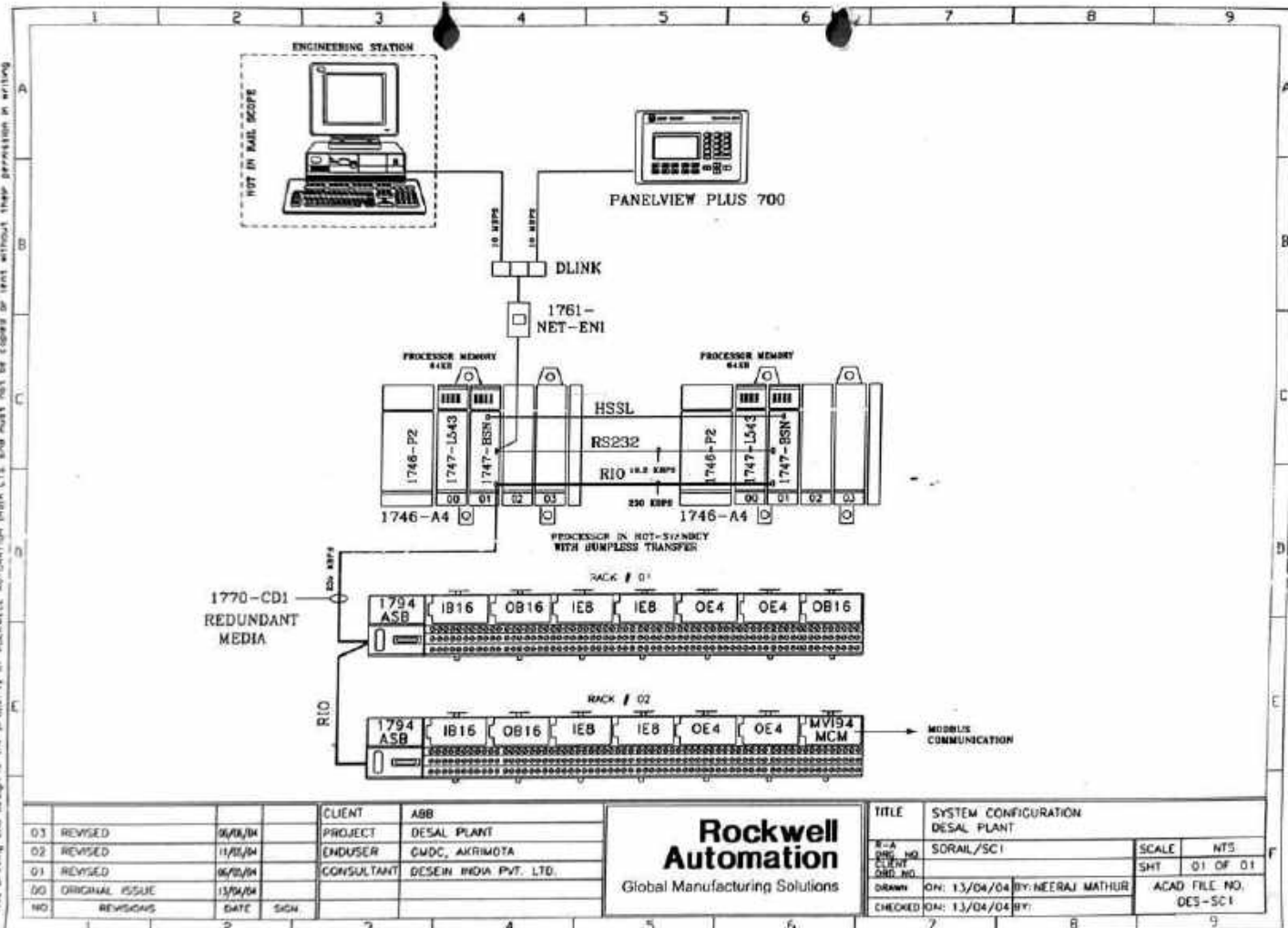
ITEM	DESCRIPTION	TYPE	MAKE	RATING
M20	MCB	1 POLE	PROTEC	24V DC 2Amp



NOTE:-
 1) TERMINAL BLOCKS OF SIZE SUITABLE TO ACCOMODATE 2.5mm² CABLES SHALL BE PROVIDED.
 2) ALL THE MCB'S ARE SINGLE POLE MCB'S AND THEY SHALL HAVE THERMAL O/L TRIPPING.

		Date	07.11.03	Client:- KIRLOSAR BROTHERS LIMITED	SIEMENS	GENERAL ARRANGEMENT	File Ref. : PROC_CAB	Soles Ref. :- PG-A/30196599
		Prep.	HAR				GURGAON	PROCESSOR CABINET
21	AS BUILT	20.06.05	HAR	Project:- CW PUMPS, GMDC AKRIMOTA			OF	
Rev.	Alteration.	Date	Name	Appr.	DU	Drp. No. (4)-G71800-S6725-A 5 Z1	SHI. 6	

This drawing and design is the property of ROCKWELL AUTOMATION INDIA LTD and must not be copied or used without their permission in writing.



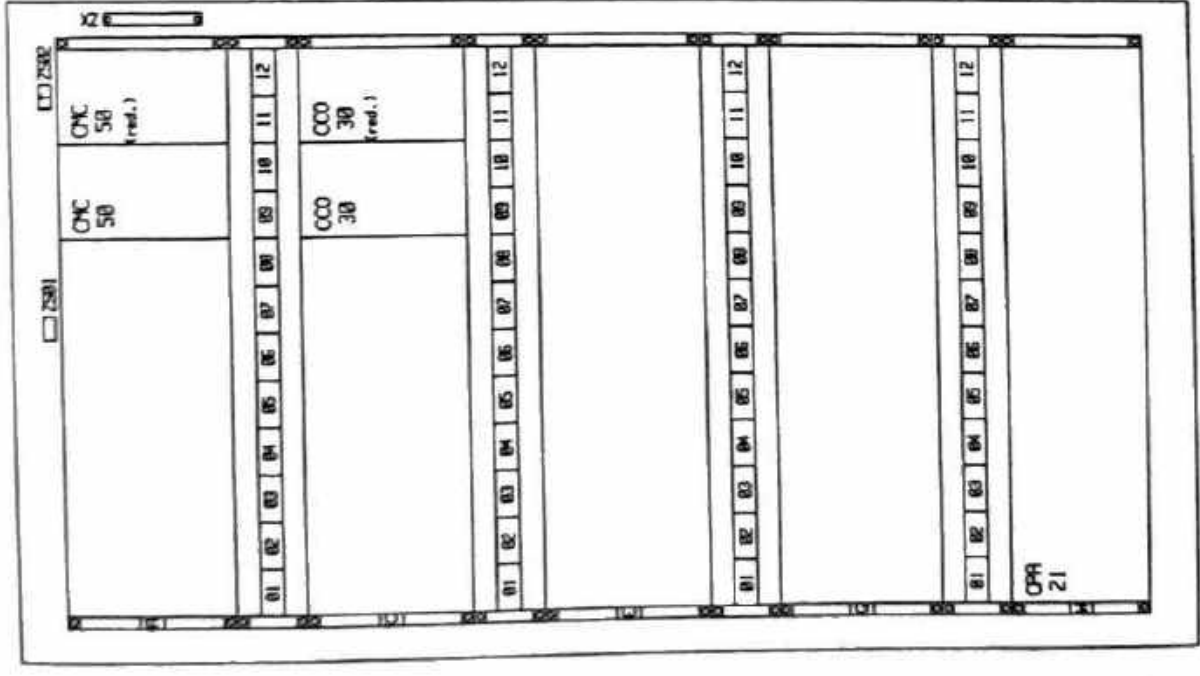
NO	REVISIONS	DATE	SIGN
03	REVISED	06/08/04	
02	REVISED	11/05/04	
01	REVISED	06/02/04	
00	ORIGINAL ISSUE	13/04/04	

CLIENT	ABB
PROJECT	DESAL PLANT
ENDUSER	GDUC, AKRIMOTA
CONSULTANT	DESEIN INDIA PVT. LTD.

Rockwell Automation
Global Manufacturing Solutions

TITLE		SYSTEM CONFIGURATION	
DESAL PLANT		DESAL PLANT	
R-A	ORD. NO.	SORAIL/SCI	SCALE
CLIENT	ORD. NO.		NTS
DRAWN	DN: 13/04/04	BY: NEERAJ MATHUR	SHT 01 OF 01
CHECKED	DN: 13/04/04	BY:	ACAD FILE NO.
			DES-SC1

CUBICLE



IDENTIFIER	PIECE	IDENTIFICATION	ARTICLE NO.	REMARK
ZK	1	MOUNTING BR		
Z081	1	PSH-EG-10422/LM-K		MANUFACTURER: PHOENIX CONTACT

This drawing is the property of ABB Utility Automation GmbH and must not be reproduced or copied without the written permission of the company.

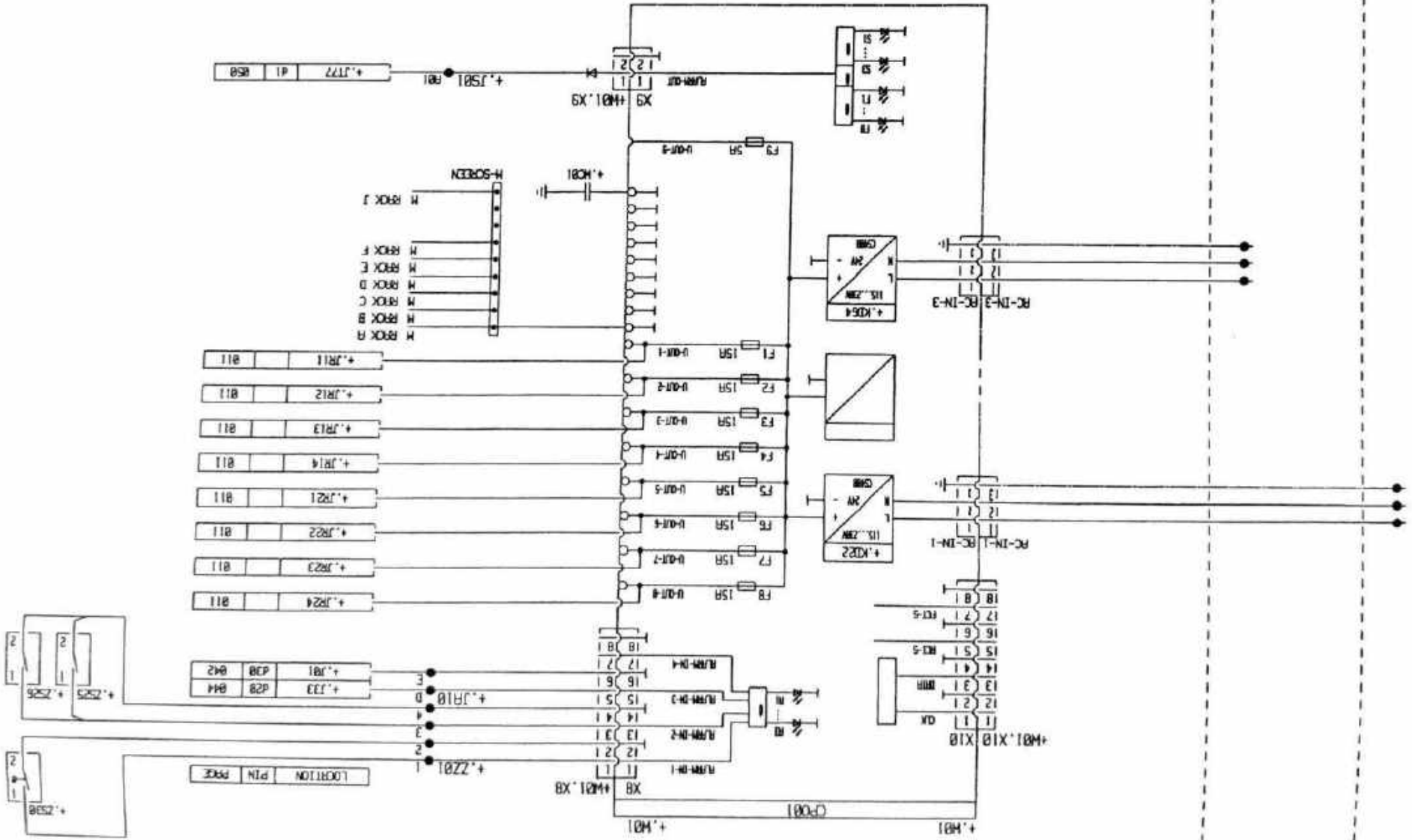
Plotteter:
Printed by:

Rev.	Description	Date	Name	Appr.	2	Rep. t.	3	Rep. f.	4	ABB ABB Utility Automation GmbH	UTM/EEB	Customer drawing No.:	+ (CR88)	Page	818
		Date	25.10.2001	Customer	TPS Akrimo's					ABB Utility Automation GmbH	UTM/EEB				
		Draw.	Fogel	Unit	1+2					ABB Utility Automation GmbH	UTM/EEB				
		Check		Source	el018					ABB Utility Automation GmbH	UTM/EEB				
		Appr.								ABB Utility Automation GmbH	UTM/EEB				
										ABB Utility Automation GmbH	UTM/EEB				

Rev.	Description	Date	Name	Appr.	Source fsc 041	Rep. f.	Rep. t.	Title	Customer drawing No.:	Project: EE802(000)	ECR	LOBB1	Page
		16.10.2001			Unit 1+2			Power supply					041
				Check	TPS Rkrimoto			ABB UTR/EEB					
				Drawg. Regel	Customer								

Plotdaten:
Plotieren:
Printed by:

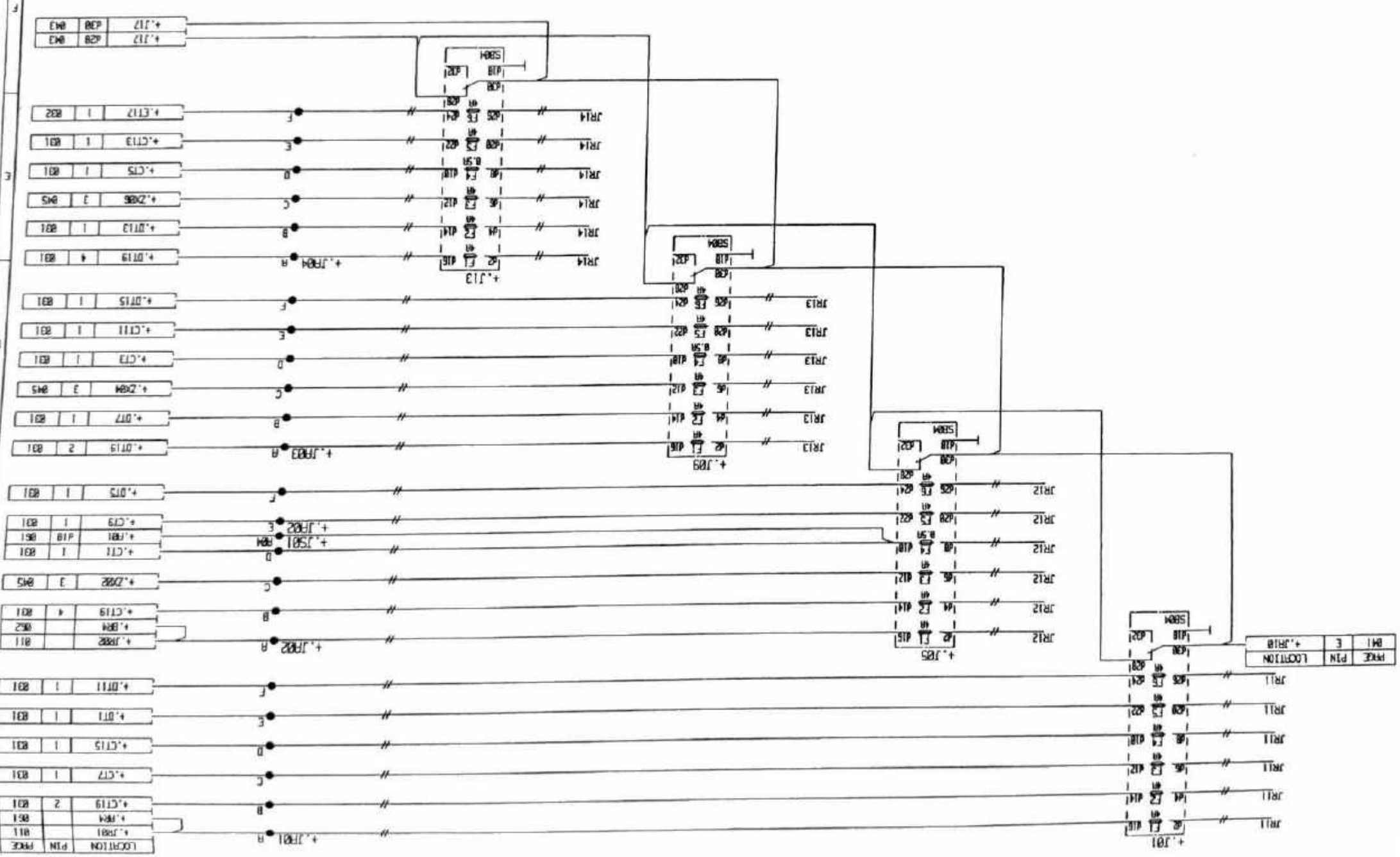
This drawing is the property of RBB Utility Automation GmbH and must not be reproduced or copied without the written permission of the company.



This drawing is the property of RBB Utility Automation GmbH and must not be reproduced or copied without the written permission of the company.

Plotters:
Plotters:
Printed by:

Rev.	Description	Date	Name	Appr.	Source fasc B42	Rep. f.	Rep. t.	RBB Utility Automation GmbH	ABB UTR/EEB	Title	Customer drawing No.:	DWG No.:	Proj. No.:	Page
					Unit 1+2					Power supply	+ 1C7B01	1C7B01	EEB02B40 & EN1	B42
		16.10.2001			TPS Rrimota									
					Customer									
					Draw. Page1									
					Check									



A B C D E F

1 2 3 4 5 6 7 8

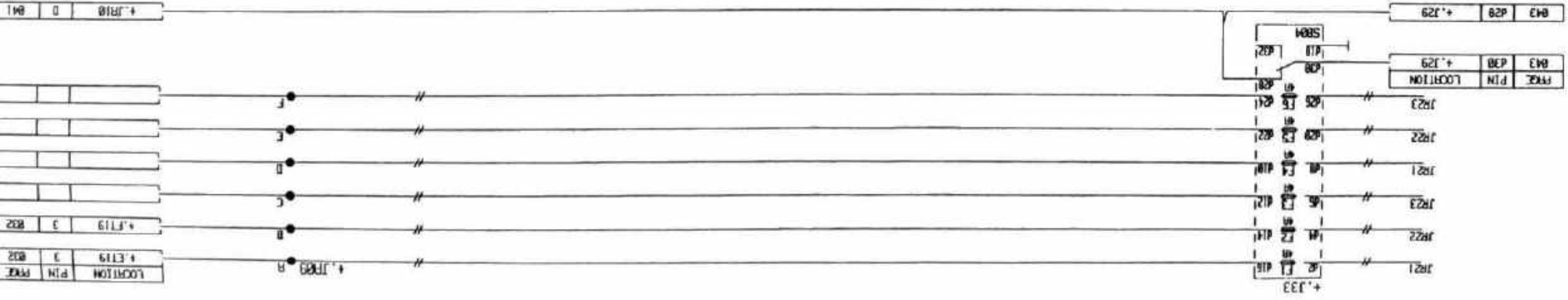
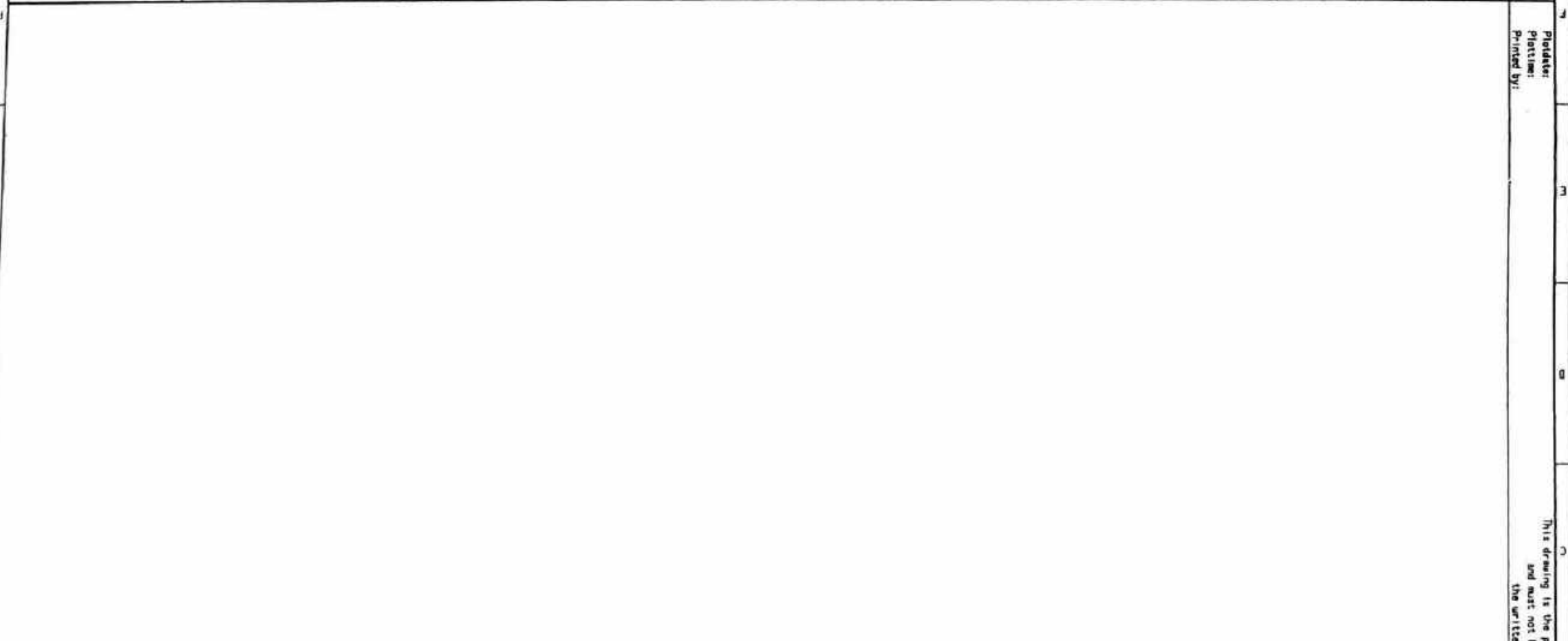
H

PKZ	PN	E	LOCION
B41			

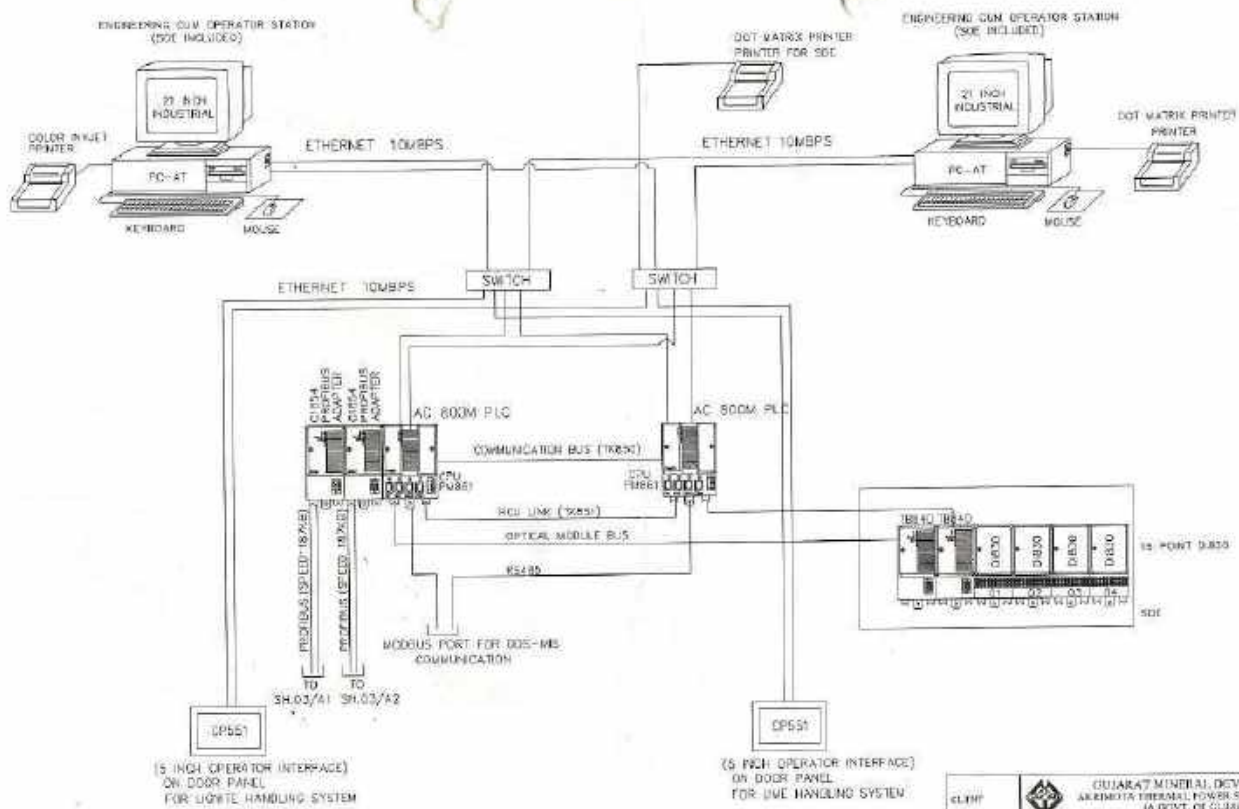
This drawing is the property of RBB Utility Automation GmbH and must not be reproduced or copied without the written permission of the company.

Plotdate:
Plattine:
Printed by:

Rev.	Description	Date	1
Customer	TPS Fkriemota	16.10.2001	2
Unit 1+2			3
Source fsc 044			4
Rep. f.			5
Rep. t.	RBB Utility Automation GmbH		6
UTR/ETB			7
ABB			8
Customer drawing No.:			9
DWG No.:			10
Proj. lect.: E1002070			11
8-CH			12
107001			13
Page			14
044			15



This drawing and design is the property of A.B. C. and should not be copied or used without prior permission in writing.

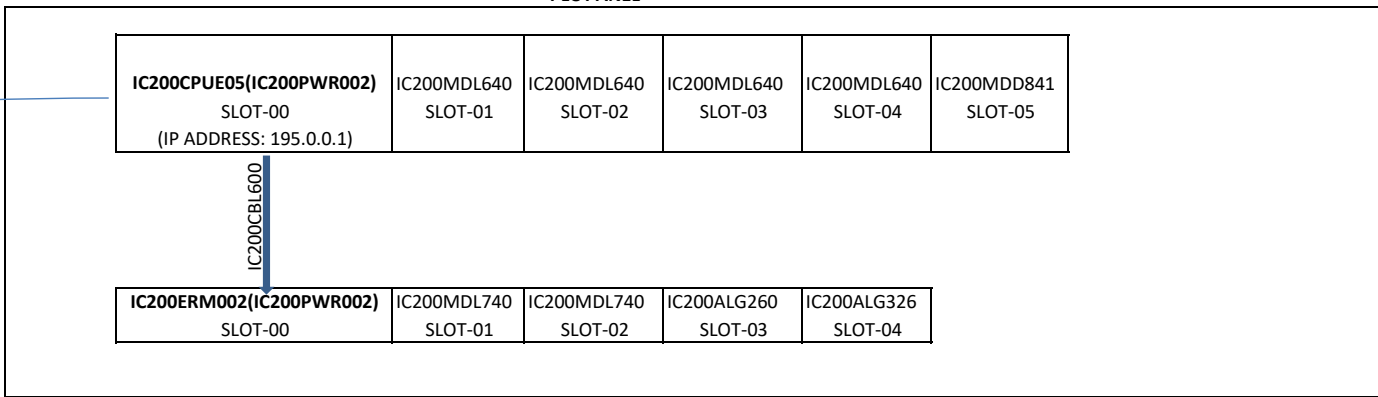


REV	REVISION	DATE	BY	CHKD	APPD	SWNS
REV5	REVISED	12.10.94	AS			
REV2	REVISED	20.04.94	AS			
REV1	REVISED	07.06.94	AS			
			ORGN	6	CHECKED	5
					APPD	5
					SWNS	

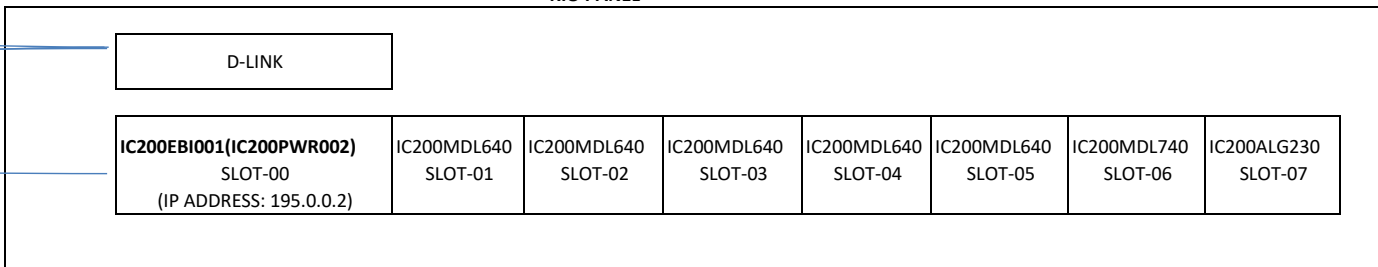
CLIENT		GUJARAT MINERAL DEVELOPMENT CORPN. LTD. AKKIMOTA THERMAL POWER STATION UNITS - (AS 12) 21 22 23 24 (A GOVT. OF GUJARAT ENTERPRISE)
CONSULTANT		DESIGN PRIVATE LIMITED DESIGN HOUSE, NEW DELHI
CONTRACTOR		TRF LIMITED (A TATA ENTERPRISE) JAMSHEDPUR
DESIGNED BY		
TITLE	SYSTEM CONFIGURATION DIAGRAM FOR LIMBITE & LIME HANDLING SYSTEM	
PROJECT	AKKIMOTA THERMAL POWER STATION UNITS - (AS 12) 21 22 23 24	
AB	C	
DRAWING NO.		TFB-CV1542-4-000
SCALE		1:1
SHEET NO.		002

SYSTEM ARCHITECTURE OF STACKER GE PLC

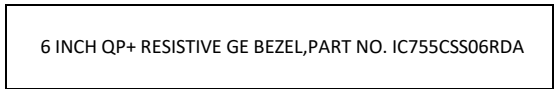
PLC PANEL



RIO PANEL

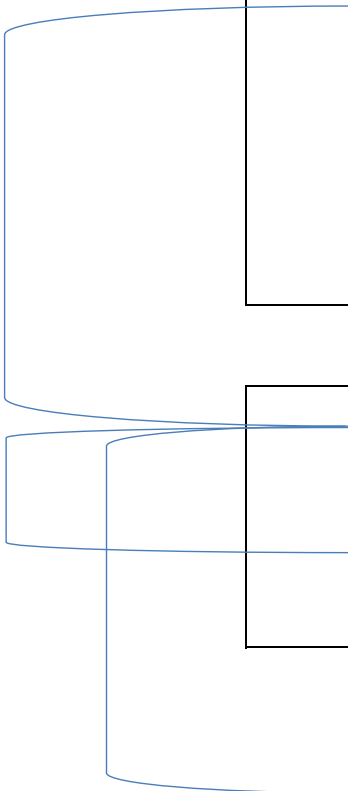


TOUCH PANEL

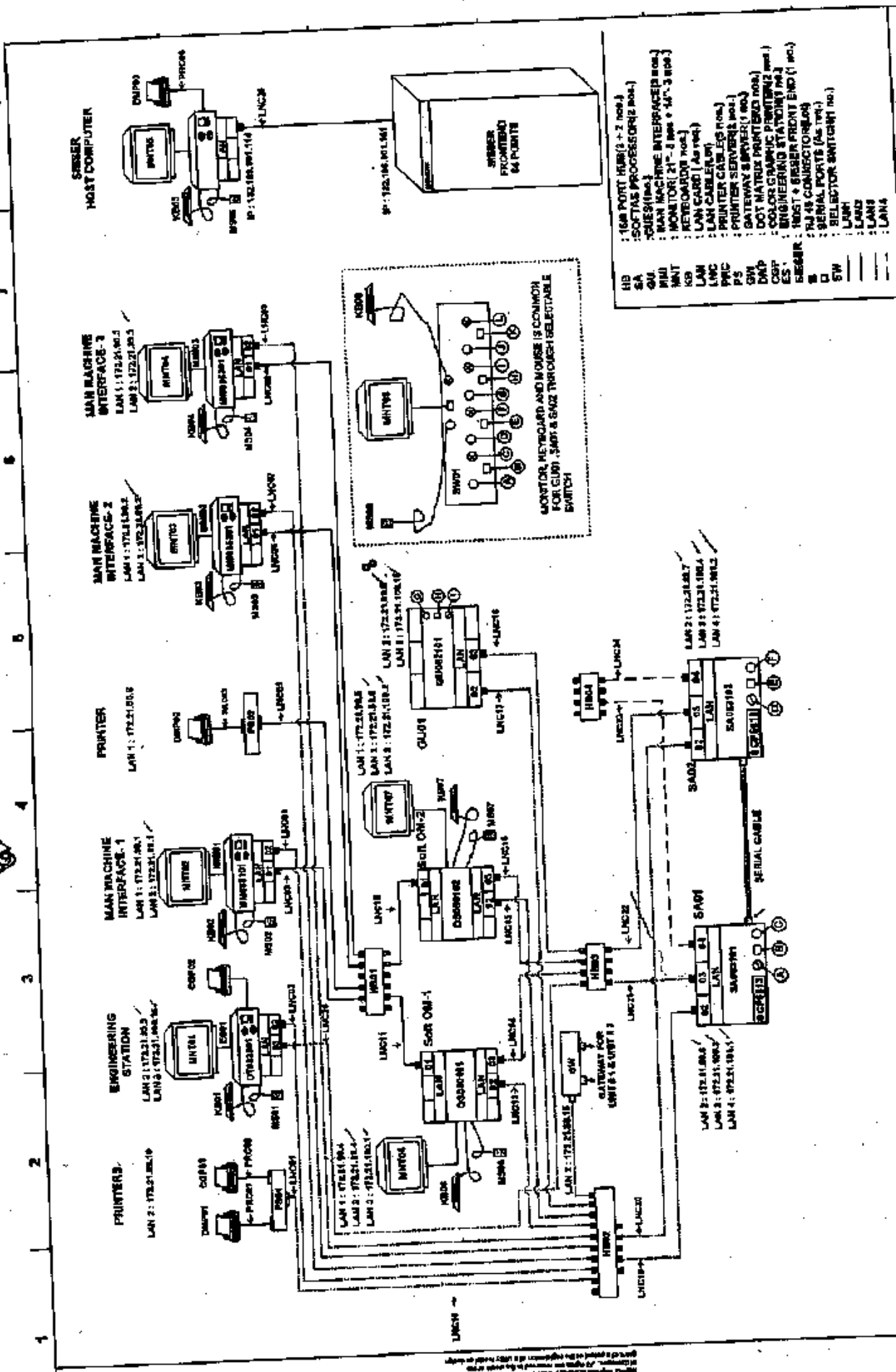


E
T
H
E
R
N
E
T

C
A
B
L
E



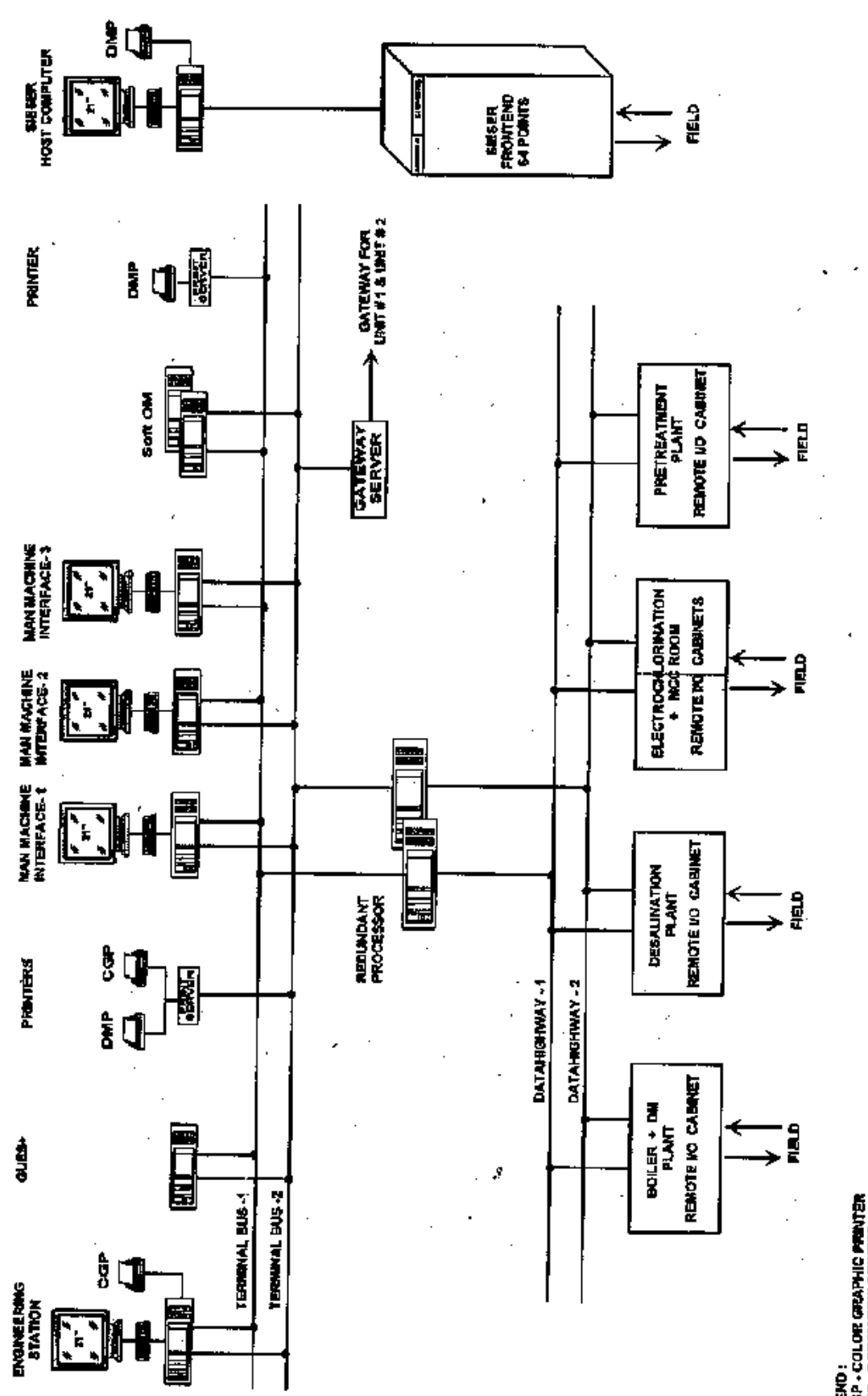
1 2 3 4 5 6 7
 10 11 12 13 14 15 16 17 18 19 20 21 22 23 24 25 26 27 28 29 30 31 32 33 34 35 36 37 38 39 40 41 42 43 44 45 46 47 48 49 50 51 52 53 54 55 56 57 58 59 60 61 62 63 64 65 66 67 68 69 70 71 72 73 74 75 76 77 78 79 80 81 82 83 84 85 86 87 88 89 90 91 92 93 94 95 96 97 98 99 100



- 15M PORT HUB (3 x 2 nos.)
- SOFTAS PROCESSOR (2 nos.)
- SALES (nos.)
- MAIN MACHINE INTERFACES (3 nos.)
- MONITOR (21" - 2 nos. + 14" x 3 nos.)
- KEYBOARD (nos.)
- LAN CARD (As reqd)
- LAN CABLE (As reqd)
- PRINTER CABLE (nos.)
- PRINTER SERVER (nos.)
- GATEWAY & BRIDGE (nos.)
- DOT MATRIX PRINTER (nos.)
- COLOR GRAPHIC PRINTER (2 nos.)
- ENGINEERING STATION (1 no.)
- HOST & SERVER FRONT END (1 no.)
- 2 RJ 45 CONNECTOR (nos.)
- SERIAL PORTS (As reqd)
- SELECTOR SWITCH (no.)
- LAN1
- LAN2
- LAN3
- LAN4

Rev.	Z1	AS BUILT	18/11/04	SIAR	DATE	10.10.01	OWNER : GULF AKRIMOTA, QATAR	SIEMENS	SYSTEM CONFIGURATION	File Ref. : Sys_Conf.D84	Sheet Ref. : 0918114
Drawn	AM	CHKD	18/11/04	SIAR	DATE	10.10.01	PROJECT : 6BA WATER TREATMENT PLANT				
Checked	AM	CHKD	18/11/04	SIAR	DATE	10.10.01	EPC CONTRACTOR : VATECH WABAG LTD.	QURGAON	OFFICE	Doc No. : 14 J071400-0470E - V 1 Z1	Sh.2
Approved	AM	CHKD	18/11/04	SIAR	DATE	10.10.01	CONTRIBUTANT : DESIN PRIVATE LTD.				Sh.4

1 2 3 4 5 6 7 8

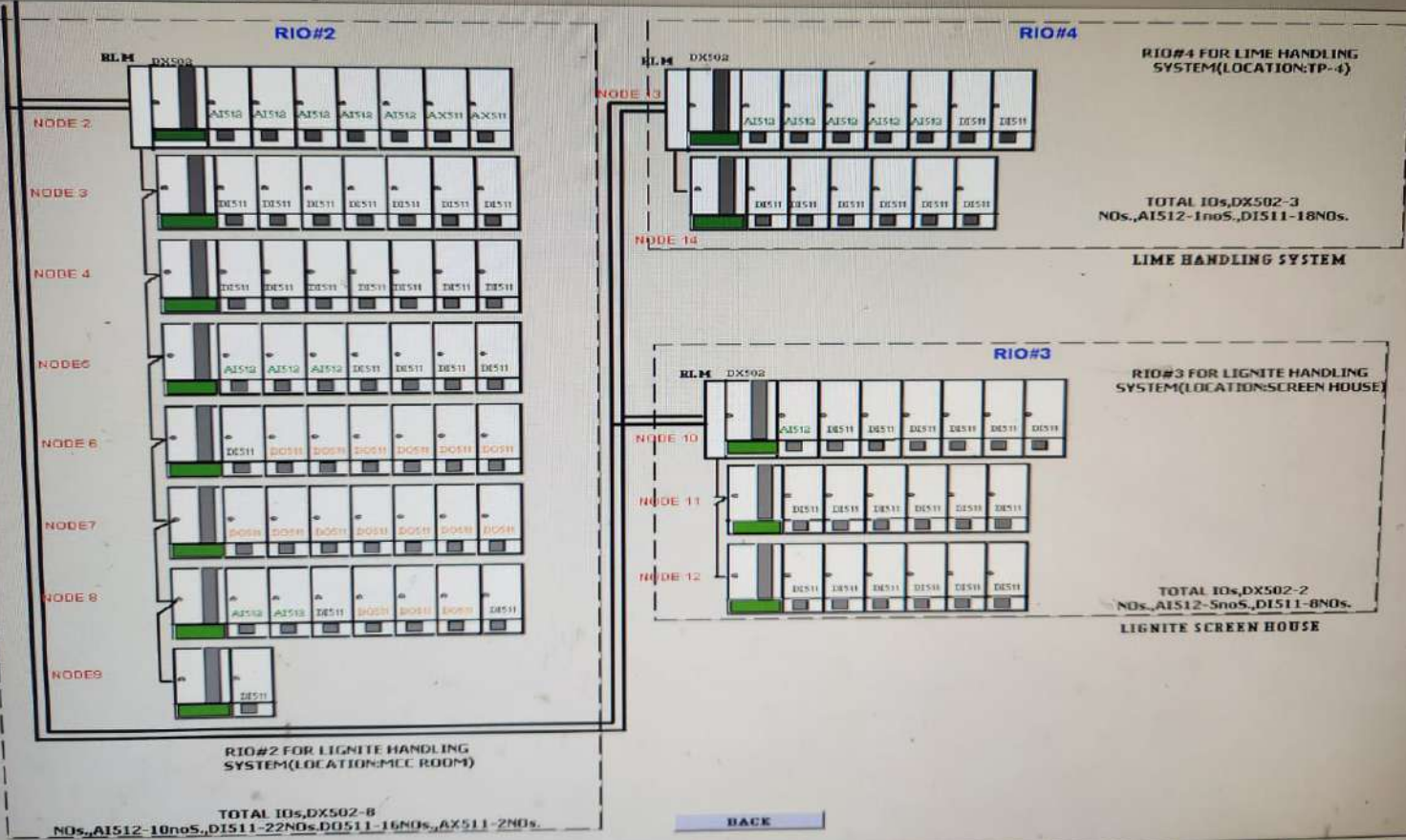


LEGEND:
 1) CGP - COLOR GRAPHIC PRINTER
 2) DMP - DOT MATRIX PRINTER

Rev.	ASSEMBLY	1E	DATE	18/01/85	CHKD.	HAR	DATE	18/01/85	OWNER: OMDC AGRIWATA, GILIRAT	PROJECT: SEA WATER TREATMENT PLANT	EPC CONTRACTOR: VATECH WABAB LTD.	CONSULTANT: EBBEIN PRIVATE LTD.	SIEMENS GURDAOH OFFICE	SYSTEM CONFIGURATION	File Ref.: Sys_Conf.D84	Serial Ref.: 301023114	SRT
	Approval																



Copying of this document without the written permission of the Siemens AG is prohibited. The Siemens logo is a registered trademark of Siemens AG. The Siemens logo is a registered trademark of Siemens AG. The Siemens logo is a registered trademark of Siemens AG.



BACK



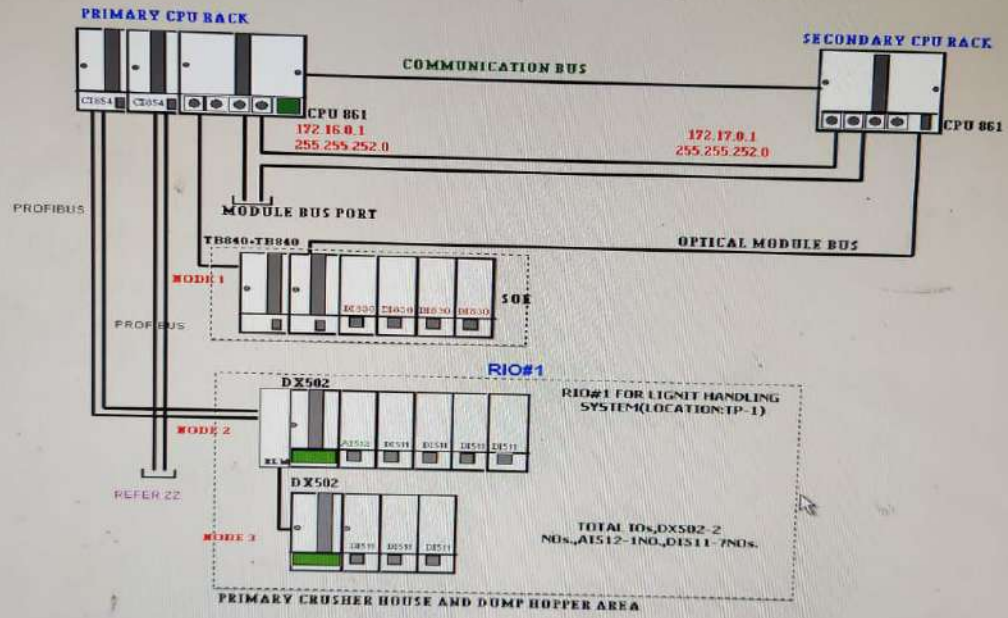
System : abb - Workplace : Operator Workplace



5:0

Operator Workplace
AI:plc config1

PLC CONFIGURATION



NEXT

- INDEX
- LG PATH 1
- LG PATH 2
- LG PATH 3
- LM PATH 1
- LM PATH 2
- LM PATH 3
- LG CON
- LM CON
- PP GATE
- CR_VIB
- POMFS
- LG CORR
- LM CORR

23-06-12 17:05:44 Process Graphics Run/1 Expression error at AdvantRect

System : abb - Wor... LG_AF_1 : Faceplate LG_UP2 : Faceplate SRI_CONVYOR : Fac... LG_CBF1 : Faceplate LG_IMPACT_1 : Face...